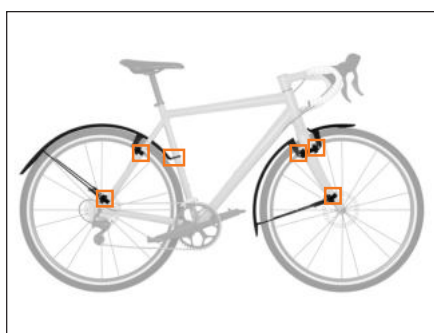
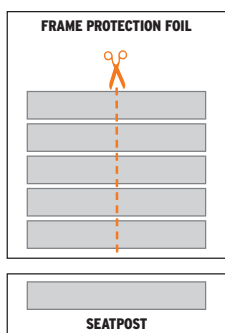
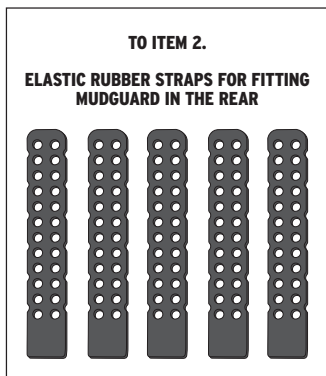
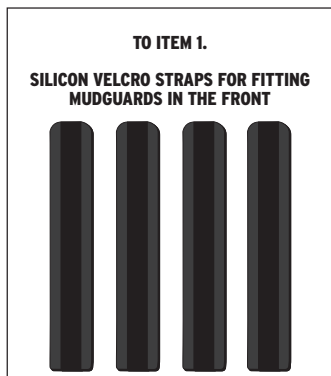
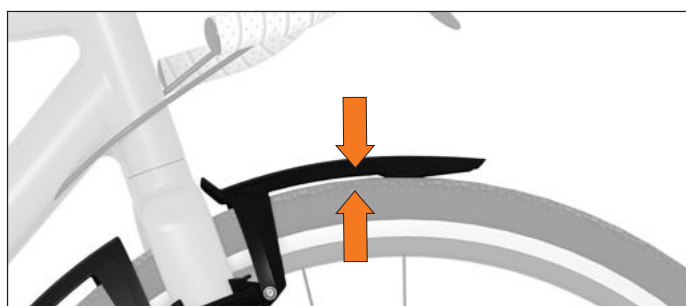


PARTS

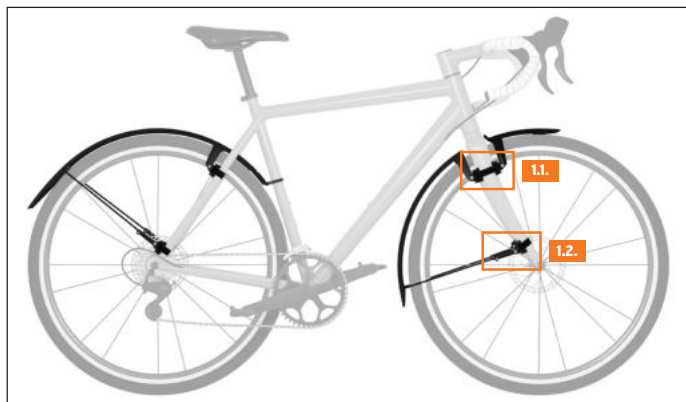


ATTENTION!

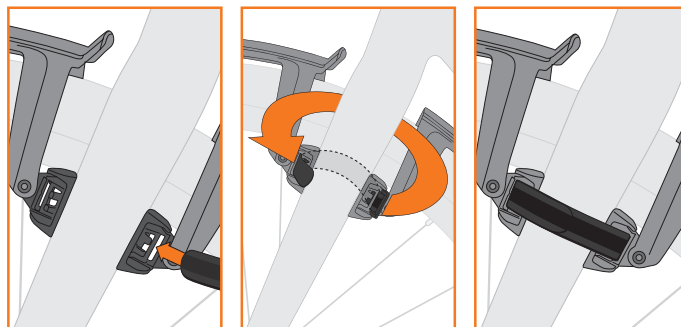
KEEP THE MINIMUM DISTANCE OF 15 MM BETWEEN FENDER AND TYRE.



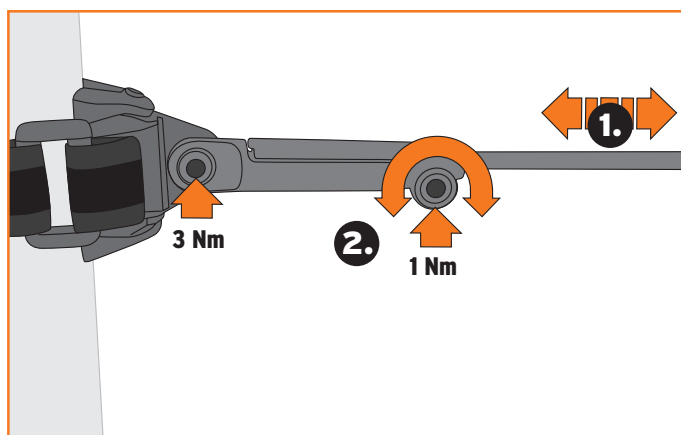
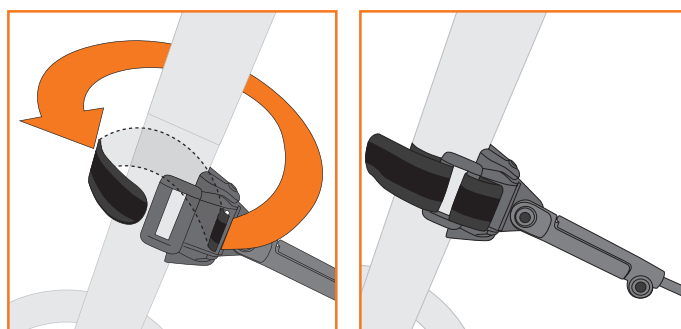
1. FENDER-ASSEMBLING FRONT



1.1.



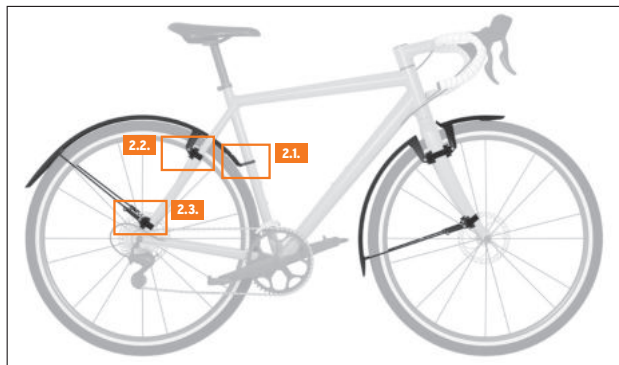
1.2.



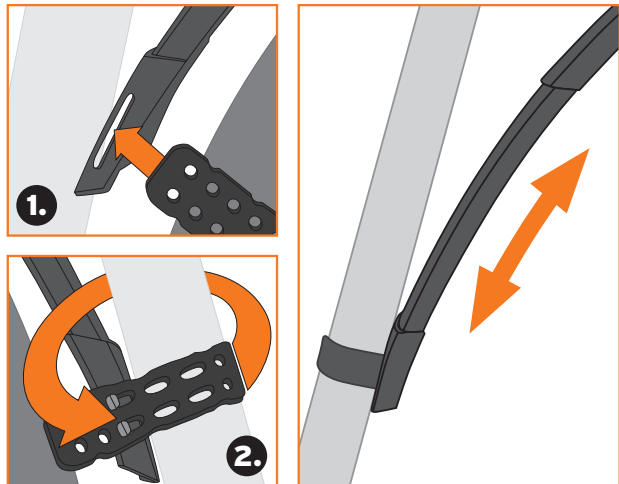
CAUTION: Not suitable for suspension forks



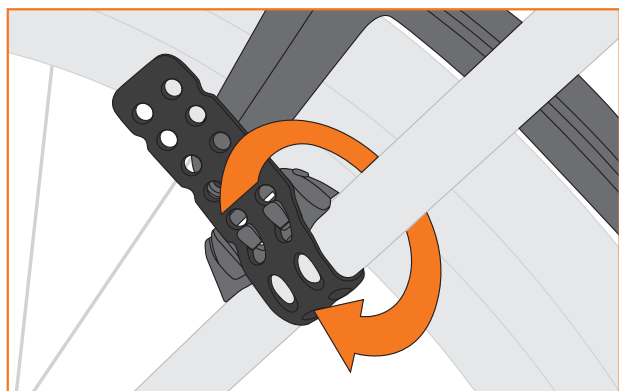
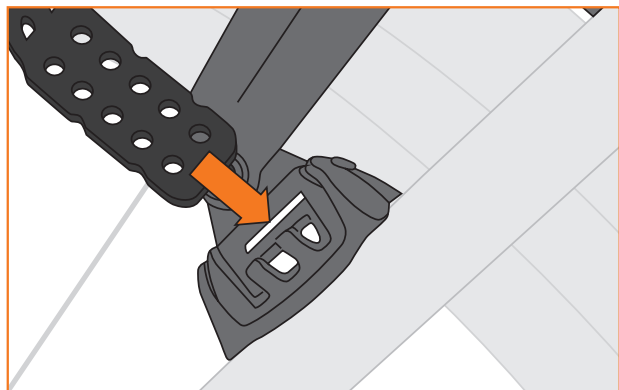
FENDER-ASSEMBLING REAR



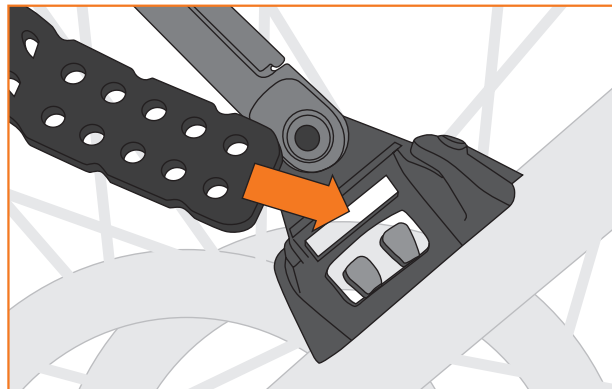
2.1.



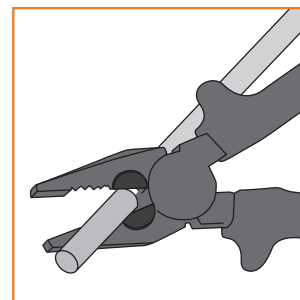
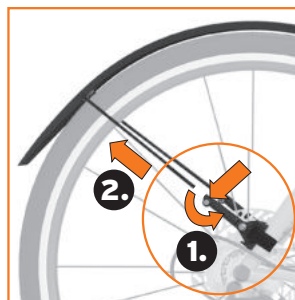
2.2.



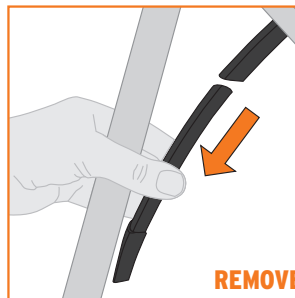
2.3.



3. STAYS CUT



4. BIKE WITH CABLE BEHIND SEAT TUBE



OPTIONAL

