

MAX  
**7**  
BAR

MAX  
**102**  
PSI



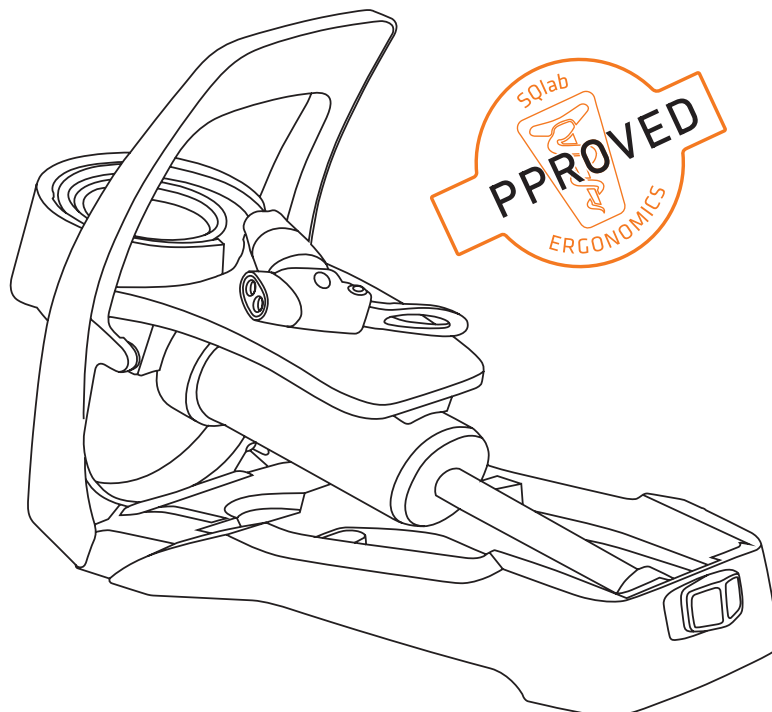
SCLAVERAND  
PRESTA



DUNLOP



AUTO  
SCHRADER

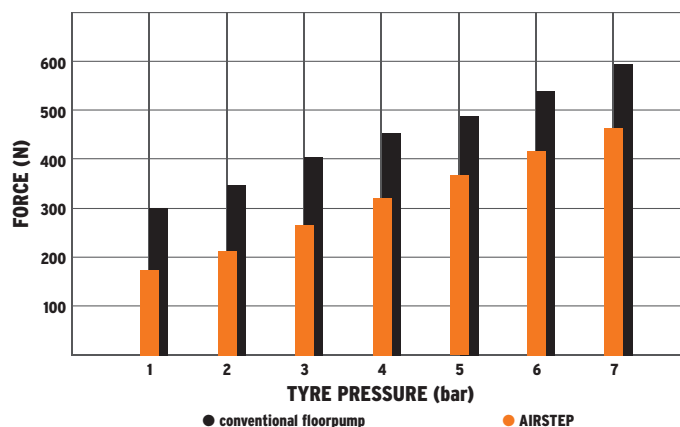


Incl. wall bracket

### EN . AIRSTEP – the perfect foot pump

AIR-GONOMY meets evolution: the new AIRSTEP combines the virtues of a classic foot pump with the high technology by MADE IN GERMANY. Perfect materials of the highest quality, a well thought-out construction and userfriendly features such as the large pressure gauge and the integrated storage space for the hose give the pump a completely new pump experience. The MultiValve head serves all valve types. Due to the ergonomic operating of the robust aluminum foot step the AIRSTEP is able to reach the highest possible effective pumping pressure up to 7 bar effortlessly. Fast, comfortable and easy. Inflating has been never simpler and easier for the backbone: truly »air-gonomic«!

THE EFFORT REQUIRED WHEN PUMPING DEPENDS ON THE AIR PRESSURE



Professionally developed and scientifically confirmed: a unique foot pump is the result of support provided by the ergonomics experts at SQlab, this requiring a considerably reduced effort when pumping up tyres when compared with conventional floor pumps (tested by the Department of Sport Science at the University of Bayreuth).



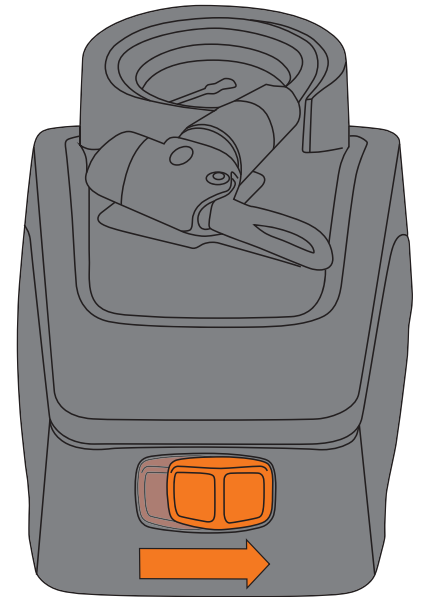
## EN . AIRSTEP DIGI – CHANGING THE BATTERY

1. If the battery of the digital manometer is empty, the following symbol appears in the lower right corner.

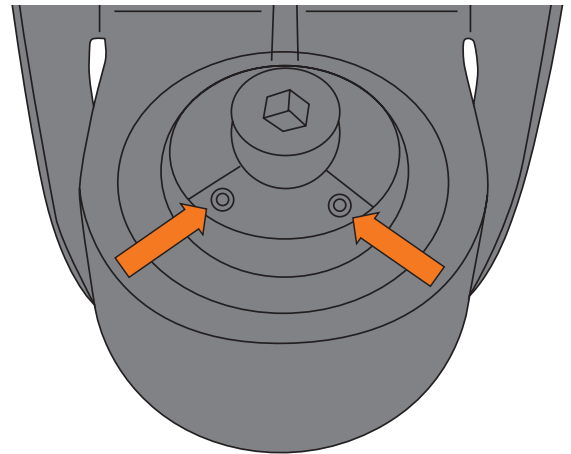


Please change the battery as follows:

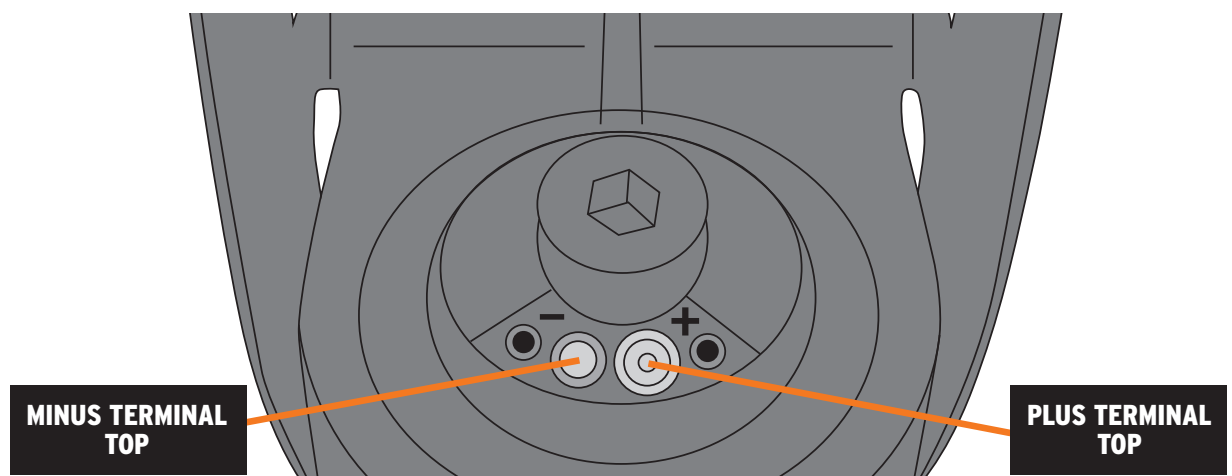
2. Loosen the foot pedal by pushing the orange locking button on the front to the right.



3. Lay the pump on its side. Now loosen the two screws on the back of the pressure gauge using a Phillips screwdriver.



4. Lift the battery compartment cover off and replace the batteries (2 x 1.5 V AAA). It is imperative that you note the Plus and Minus symbols at the edge of the battery compartment. Insert the batteries so that the plus terminal is placed on the positive side and the minus terminal of the battery is placed on the negative terminal so that the symbols can be seen.



5. Now screw the battery compartment cover back on (caution: only tighten the screws so that they are hand tight.)