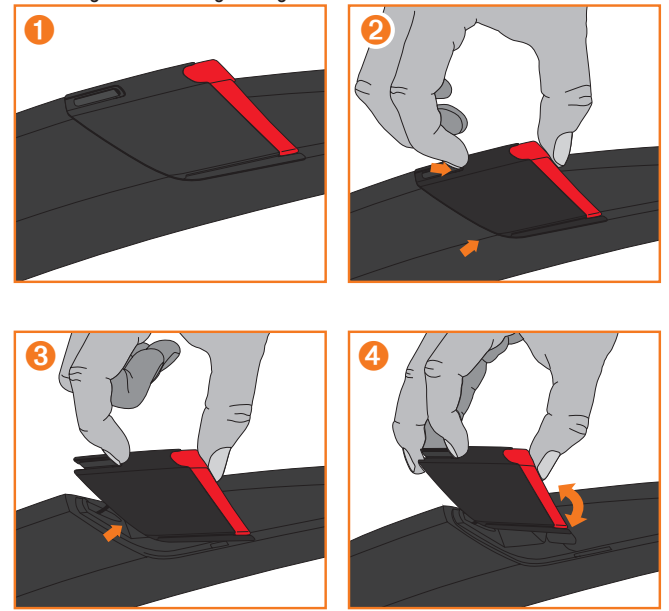
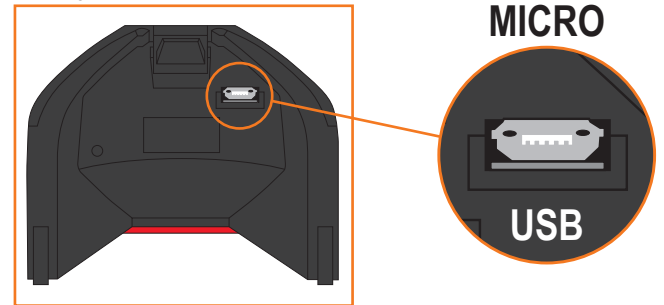


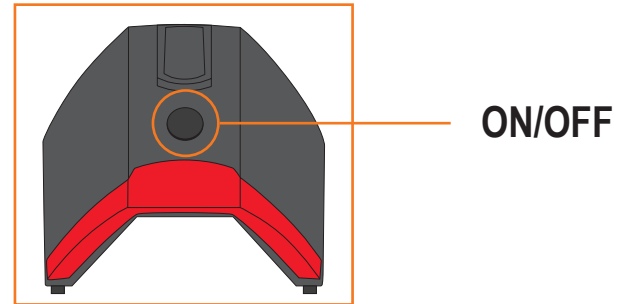
Removing the rear mudguard light



Recharge



On and off



EN . Rear mudguard with an integrated battery-powered rear light with German Highway Traffic Act approval.

- 4 lumens
- LED light can be removed and recharged with a micro USB connector

Light modes/LED status display:

- Low battery: LED lights up orange
- During charging: LED flashes green (charging time: approx. 1 h.)
- When the charging process is complete: LED lights up green

Safety information:

- Lighting must not be covered. Clean if dirty.
- Do not look directly into the light.
- Do not charge the battery for more than 15 hours at a time.
- Do not use the light during the charging process.

Batteries may not be disposed of as part of the household waste. As a consumer, you are legally obliged to return used batteries.

