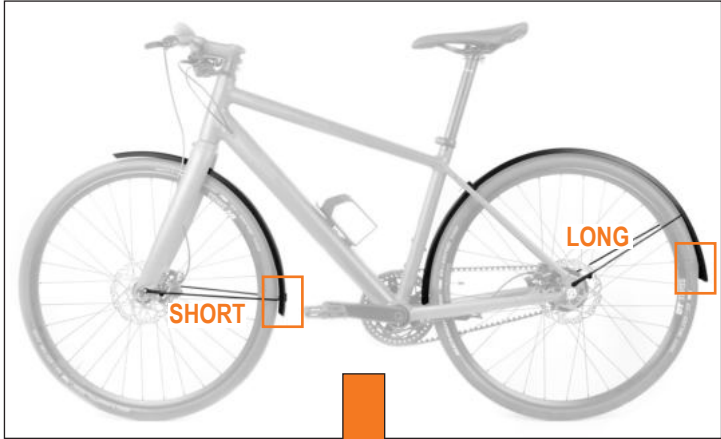
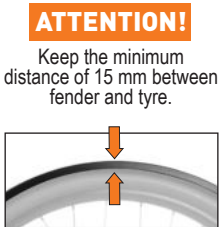
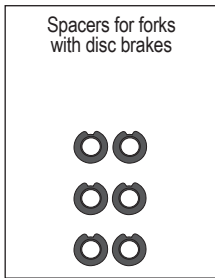
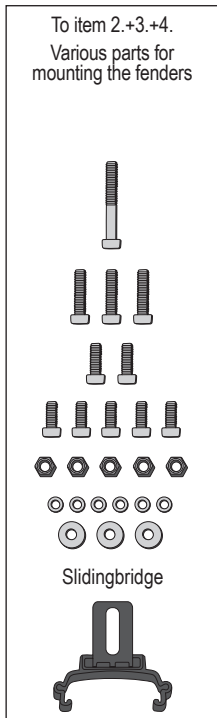
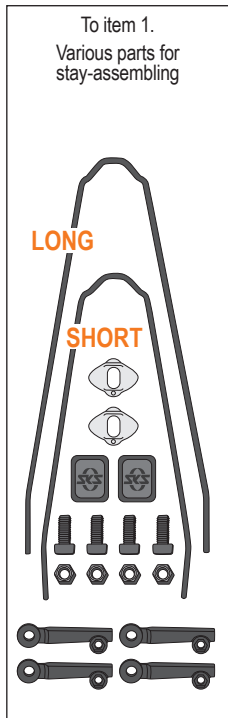
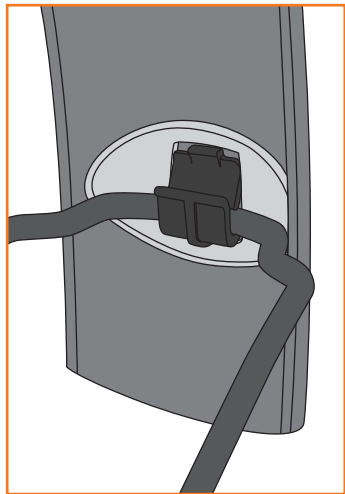
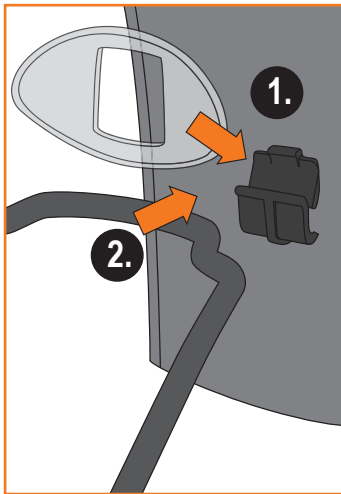
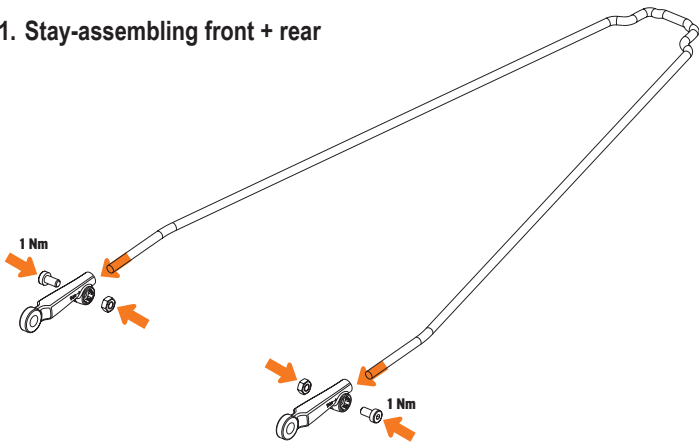


**Parts**

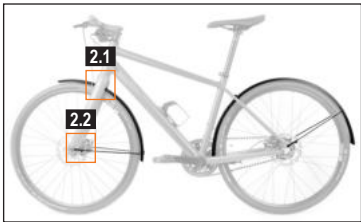
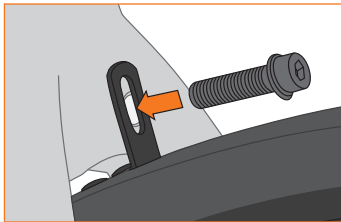


**1. Stay-assembling front + rear**

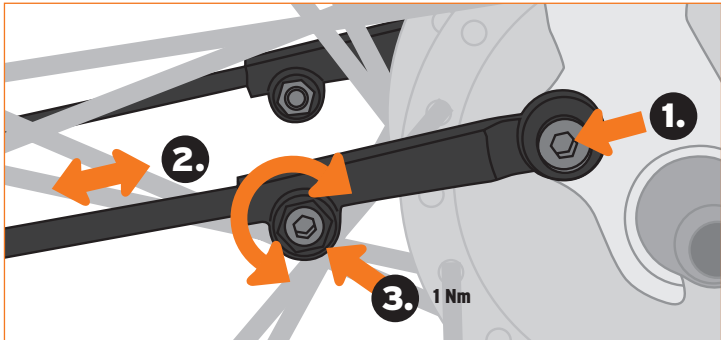


**2. Frame mounting front**

**2.1 Brake-fitting front**



**2.2 Stay attachment front incl. lengths adjustments of the stays**



**EN . EDGE AL**

Solid aluminium mudguards in clean look, with rounded edges. Long mudguard profiles ensure maximum protection against splashes.

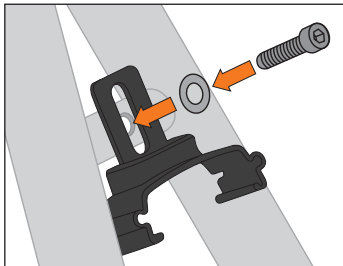


**3. Frame mounting rear**

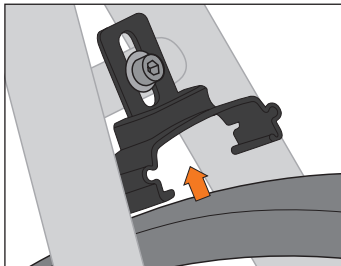
**3.1 Remove the rear wheel**

**3.2 Assembling of sliding bridge 90° degree angle**

**3.2.1 Screw the sliding bridge**

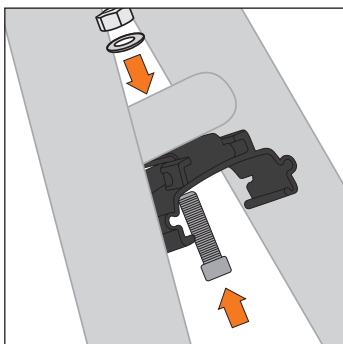


**3.2.2 Clip the fender on the sliding bridge**

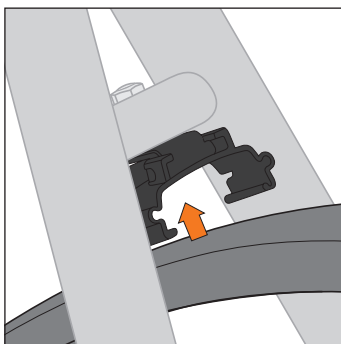


**3.3 Assembling of sliding bridge 0° degree angle**

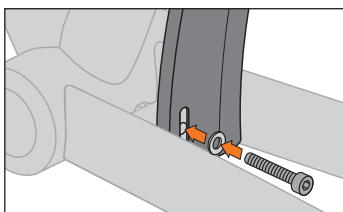
**3.3.1 Screw the sliding bridge**



**3.3.2 Clip the fender on the sliding bridge**

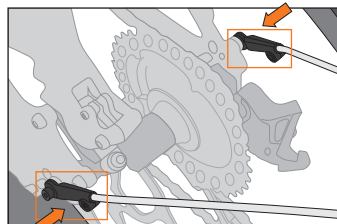


**4. Assembling at the bottom bracket**

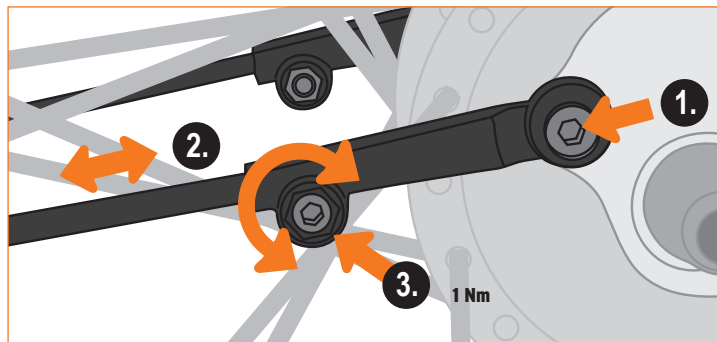


**5. Remount the rear wheel**

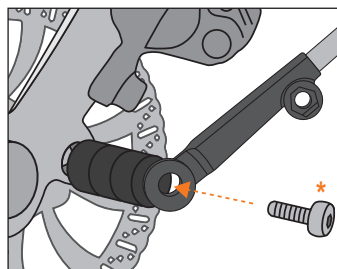
**6. Rear stay assembling**



**6.1 Stay attachment rear incl. lengths adjustments of the stays**



**ATTENTION!** Mounting of spacers for frames with disc brakes



\* Screw is not included in the scope of delivery

PROFILE WIDTH	PART NO.	TYRES	LENGTH FRONT	LENGTH REAR
46 mm	11494	700 x 26c - 40c	740 mm	1200 mm

**ACCESSORIES:**



**11259** Suspension fork mounts for Rock Shox and Suntour



**11260** Suspension fork mounts for Rock Shox and Suntour, angled