

EN . Safety instructions

Carefully read the entire safety instructions and follow the instructions.

Warning levels.

Take note of and adhere to the warnings. Non-compliance can lead to injuries or damage to property!



Caution! Indicates hazards that can lead to injuries or damage to property.

Safety instructions.

- Injury hazard. The product contains small parts that could be swallowed. Keep the product or individual components away from children.
- Always mount SKS-wheel guards using the mounting material supplied.
- Injury hazard. Make sure there is sufficient foot space between the wheel guard and the pedal.
- When mounted correctly, the ESC safety system guarantees the free movement of the wheels. During assembly, it is of the utmost importance to make sure that the ESC adapters are properly aligned. Incorrect alignment may prevent the ESC safety system from being triggered.
- After the ESC safety system has been triggered or the ESC adapters have been damaged, replace the entire product.
- Regularly check and retighten all screw connections.

Intended use.

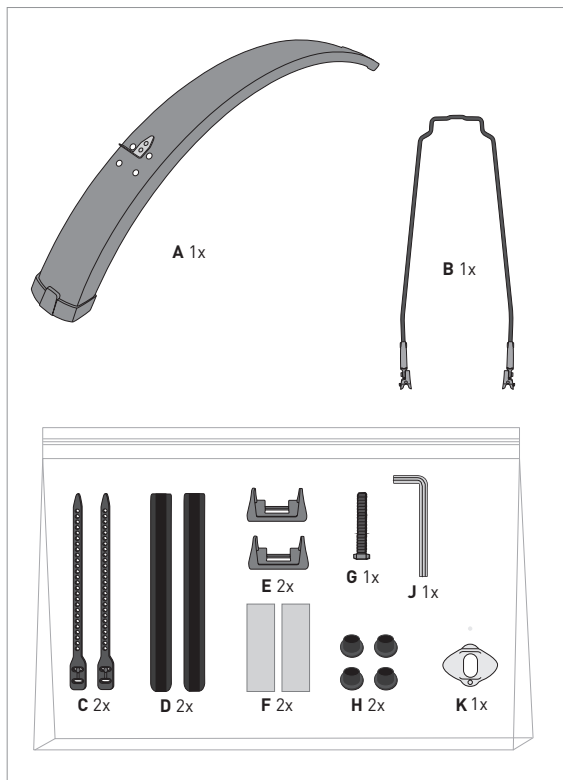
Use only for the intended use as a wheel guard. Any other use and/or structural alteration is considered to be not in accordance with the intended use and results in the expiry of the legal and contractual warranty for material defects and product liability.

Disposal.

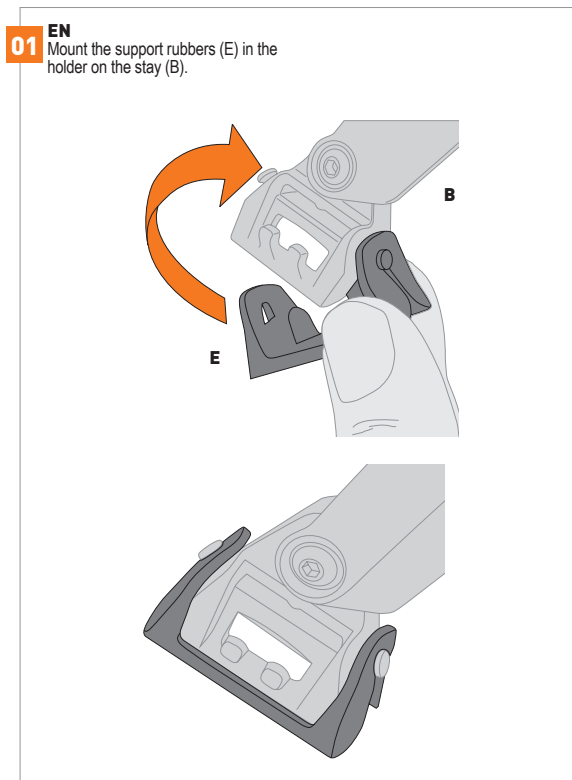


Dispose of packaging material in accordance with the applicable national and regional regulations. When disposing of the product, follow the national and regional disposal regulations.

EN . Scope of delivery

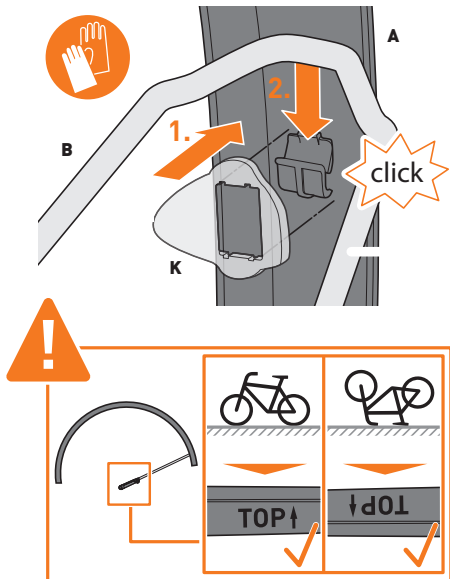


EN . Mounting the mudguard

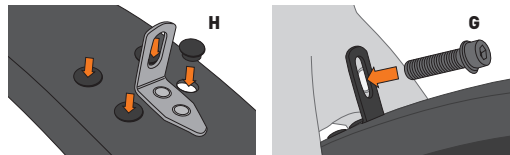


EN . Mounting the mudguard

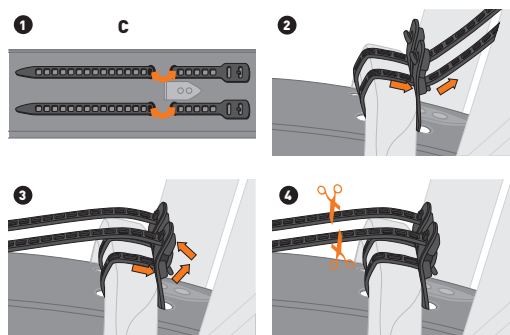
02 EN
Place the damping rubber (K) on the clip in the mudguard (A) and audibly engage the stay (D).
Note: Pay attention to the alignment (TOP↑) of the ESC adapter.
Risk of accident if not observed.



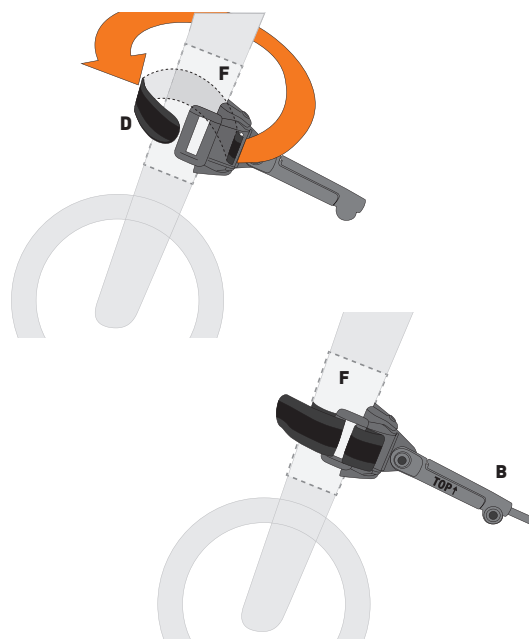
03 EN
Close the four holes in the mudguard (A) with the plugs (H). Fasten the mudguard (A) to the fork bridge with the screw (G).
Note: Pay attention to the tightening torque (3 Nm)



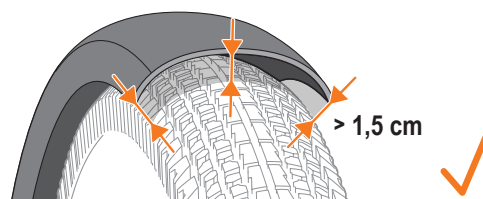
03 EN
Attach the mudguard with the soft ties (C) to the fork bridge.
B Trim the protruding ends.



04 EN
Attach the frame protection foil (F) to the fork. Attach the stay (B) to the fork using the Velcro straps (D).
Note: Pay attention to the alignment (TOP↑) of the ESC adapters.
Tighten the Velcro straps firmly.



05 EN
Visual inspection. Check the distance of the mudguard to the front wheel as well as to the freewheel of the wheel.
Please note. Ensure at least 1.5 cm distance between the front wheel and the mudguard.



06 EN
Tighten the screws on the ESC adapter.
Note: Pay attention to tightening torques

