



+COM/UNIT

INSTRUCTIONS FOR USE
LAST UPDATED 03.2019



CONTENS

Information concerning the Instructions and the Manufacturer	4
Keep the instructions at hand	4
Design characteristics of these instructions	4
Copyright	5
Address of the Manufacturer	5
Safety	6
Intended use	6
Basic Safety Instructions	7
Avoid fire, explosions or electric shocks	7
Avoid a cardiac pacemaker or other implant failure	7
Design characteristics of tips	7
Description	8
Overview of the +COM/UNIT's scope of delivery	8
+COM/UNIT overview	9
LED status indicator	10
Task and Function	11
Technical Data	12
Unpacking and Checking the Scope of Delivery	13
Mounting the +COM/UNIT on and removing it from the COMPIT	14
Adjusting the tilt	16
Charging the Smartphone via the +COM/UNIT	17
Charging your smartphone without a cable	17
Charging the smartphone with a cable	19
Using the NFC	20
Charging the +COM/UNIT and your smartphone using your e-bike's on-board computer	21
Troubleshooting	23
Charging the +COM/UNIT	24
Maintaining the +COM/UNIT	25
Accessories	26
Disposing of the +COM/UNIT	27
In Germany	27
Outside Germany	27
Warranty Declaration	28
Returns to Customer Service	29

Information concerning the Instructions and the Manufacturer

These instructions will help you to use the +COM/UNIT safely.

Keep the instructions at hand

- These instructions are part of the +COM/UNIT.
- Always keep these instructions in a safe place.
- Please hand over these instructions if you sell or otherwise pass on the product.

Design characteristics of these instructions

Various elements in these instructions include clearly determined characteristics. You can easily differentiate between the following elements:

Normal text

- Enumerations
- Action steps

DESIGNATION OF PRODUCTS



Information concerning the Instructions and the Manufacturer

Copyright

These instructions include information that is protected by copyright. These instructions are not to be copied, printed out, filmed, processed, duplicated or distributed in any form whatsoever, whether in part or in its entirety without prior written approval of SKS metaplast Scheffer-Klute GmbH.

©2019 SKS metaplast Scheffer-Klute GmbH

All rights reserved.

Address of the Manufacturer

SKS metaplast Scheffer-Klute GmbH

Zur Huberstushalle 4

59846 Sundern

Tel.: +49-2933-8310

Website: www.sks-germany.com



Safety

Intended use

The +COM/UNIT is designed for private use.

The +COM/UNIT is intended for charging your smartphone with or without a Qi charging function and can be mounted on the COMPIT.

COMPIT is a smartphone holder. It is mounted on the bicycle's handlebar.

The smartphone can only be used on the +COM/UNIT with a cover (not included in the scope of delivery).

Please refer to the section entitled Accessories, page 26.

Intended use also includes observing and following all the information contained in these instructions, particularly the safety instructions. Any other use is expressly considered improper.

Basic Safety Instructions

Avoid fire, explosions or electric shocks

Severe or mortal injuries resulting from an explosion, fire or electric shock are possible should the product not be used correctly.

- Check whether the voltage stated on the power adapter is the same as the local mains voltage before you connect the adapter to the power supply.
- Always only use authorised power adapters.
- Do not use the COMPIT or +COM/UNIT power adapter should it be damaged.
- Never open the housing of the +COM/UNIT. Always have repair work carried out by qualified specialists.
- Do not adhere any metallic labels or other objects to the +COM/UNIT.
- Do not use the +COM/UNIT close to heated surfaces.
- Do not use an extension cable or overloaded multiple sockets.
- Ensure that children and persons with a mental handicap only use the +COM/UNIT under supervision.

Avoid a cardiac pacemaker or other implant failure

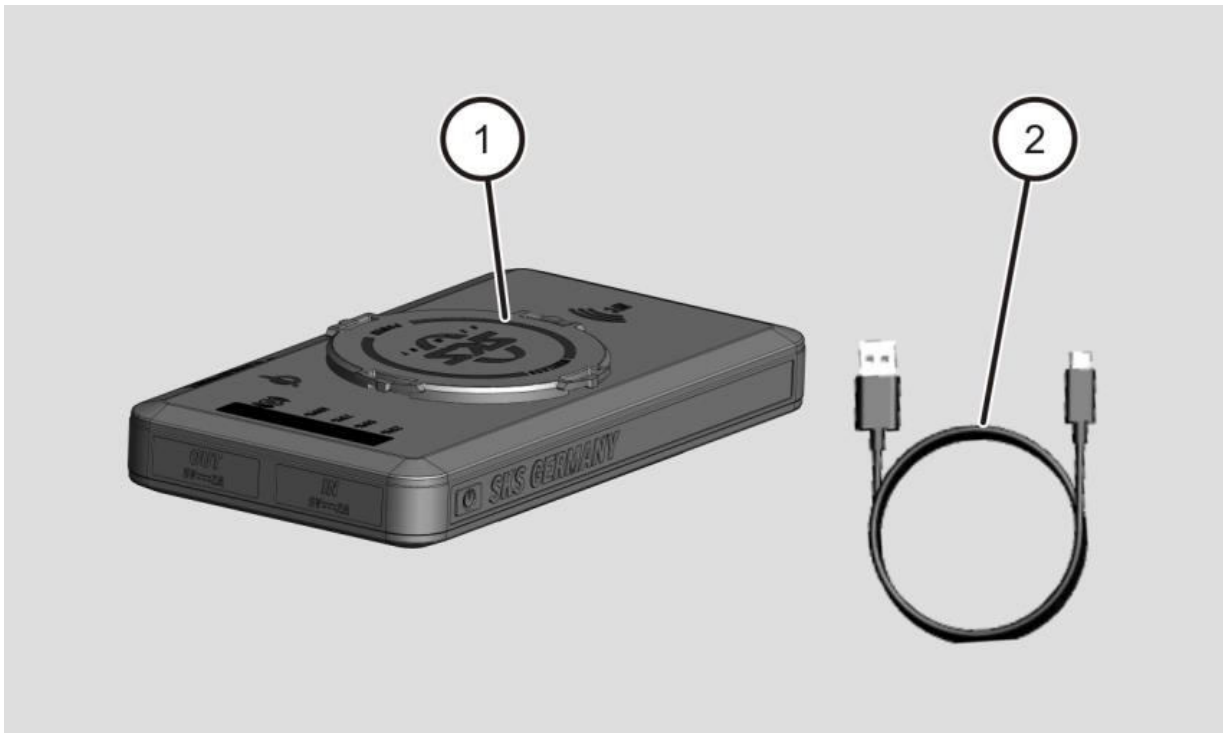
A cardiac pacemaker or other implant failure can occur when using the +COM/UNIT.

- Should you have a cardiac pacemaker or another implant, please consult your doctor or the implant manufacturer before using the +COM/UNIT.

Design characteristics of tips

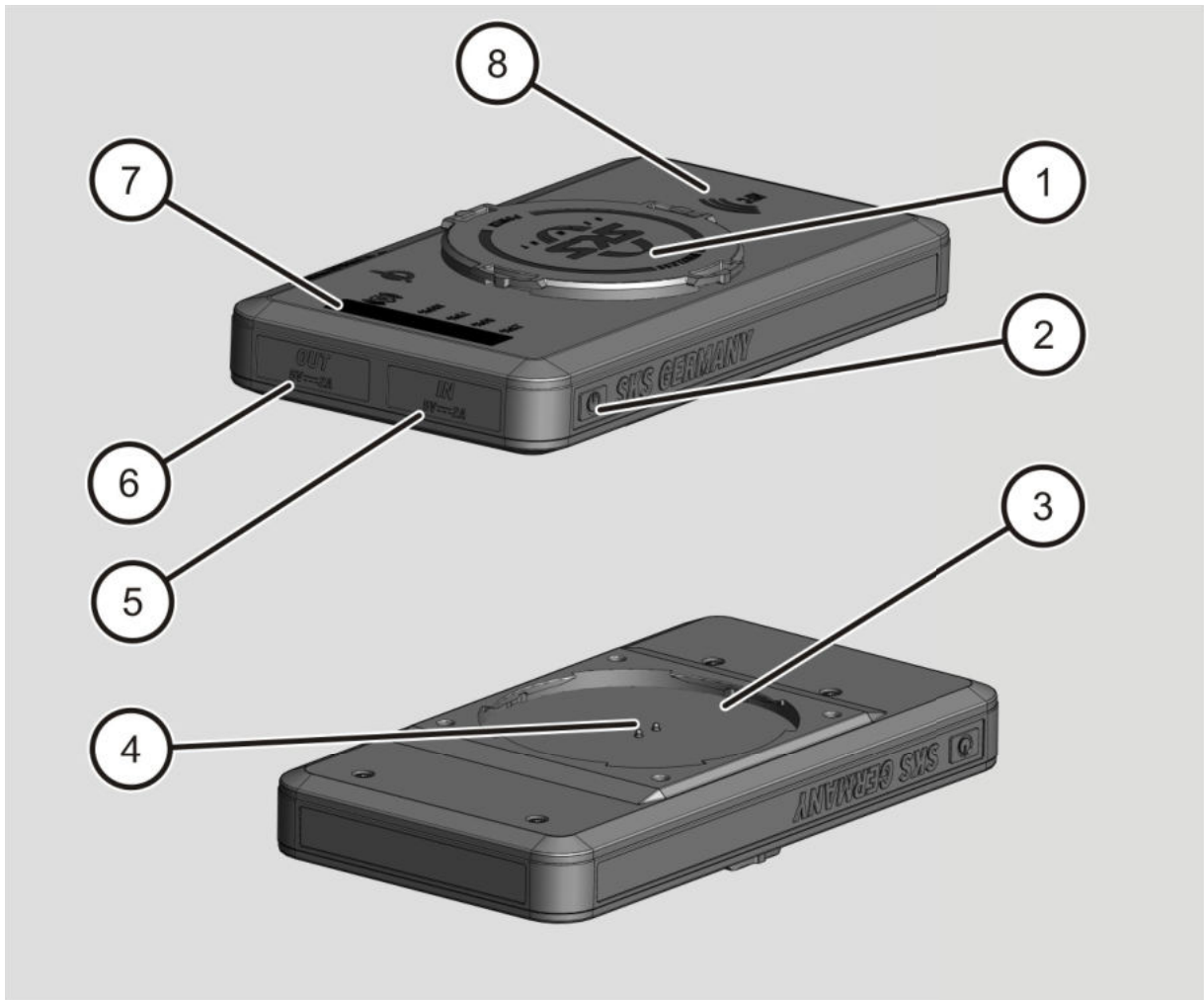
 Tips provide additional information.

Overview of the +COM/UNIT's scope of delivery



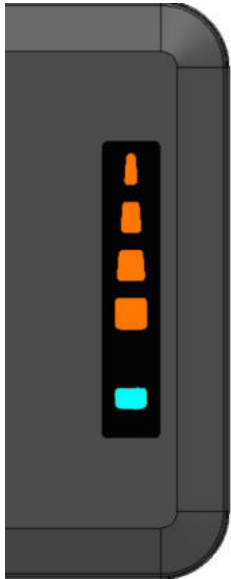
No.	Designation
1	+COM/UNIT
2	USB cable

+COM/UNIT overview



No.	Designation
1	Qi docking station (cableless charging) for mounting the smartphone with cover
2	Button for switching on and off
3	Docking station for mounting on the COMPIT
4	Housing input (two contact pins in the housing)
5	USB-Input
6	USB-Output
7	LED status indicator
8	NFC reading area

LED status indicator

+COM/UNIT	LED	STATUS	INDICATES
	Battery indicator	4 orange LEDs flash in succession	+COM/UNIT is being charged
		1 LED illuminated	0 %-25 % battery capacity
		2 LEDs illuminated	25 %-50 % battery capacity
		3 LEDs illuminated	50 %-75 % battery capacity
		4 LEDs illuminated	75 %-100 % battery capacity
	Indicator for cableless charging	Blue	Standby or charging completed
		Blue flashing approx. 1 x per second	Charging in process
		Blue flashes fast approx. 5x per second	Charging error

Task and Function

The +COM/UNIT is used to charge and connect the smartphone while cycling. It can be affixed to the COMPIT. Smartphones that have a wireless charging function are charged by affixing the smartphone to the Qi docking station. Smartphones that do not have a Qi charging function can be charged using an optional USB cable. It is affixed using a cover (not included in the scope of delivery) by turning it above the docking station.

The +COM/UNIT on the COMPIT can be brought into the desired position by adjusting the tilt.

The +COM/UNIT has an NFC (near-field communication) chip. It can be equipped with different functions (please refer to page 20 regarding this matter).

The +COM/UNIT can be charged with the USB cable included in the scope of delivery.

Technical Data

+COM/UNIT	
Dimensions	130 x 70 x 21,5 mm
Weight	~188 g
USB-Input	DC 5 V/2 A
USB-Output	DC 5 V/2 A
Housing input*	DC 5-15 V/2 A
Wireless transmission power	5 W
Wireless efficiency	>70%
Operating frequency	110 KHz-205 KHz
Wireless Output	DC 5 V/1 A
Battery type	Rechargeable lithium-polymer battery
Battery capacity	5000 mAh
NFC chip	NTAG 216, 924 Byte
Type of protection	IP54
Discharging temperature	-15 ~ 60° C
Charging temperature	0 ~ 45° C

*Only in conjunction with COMPIT/E

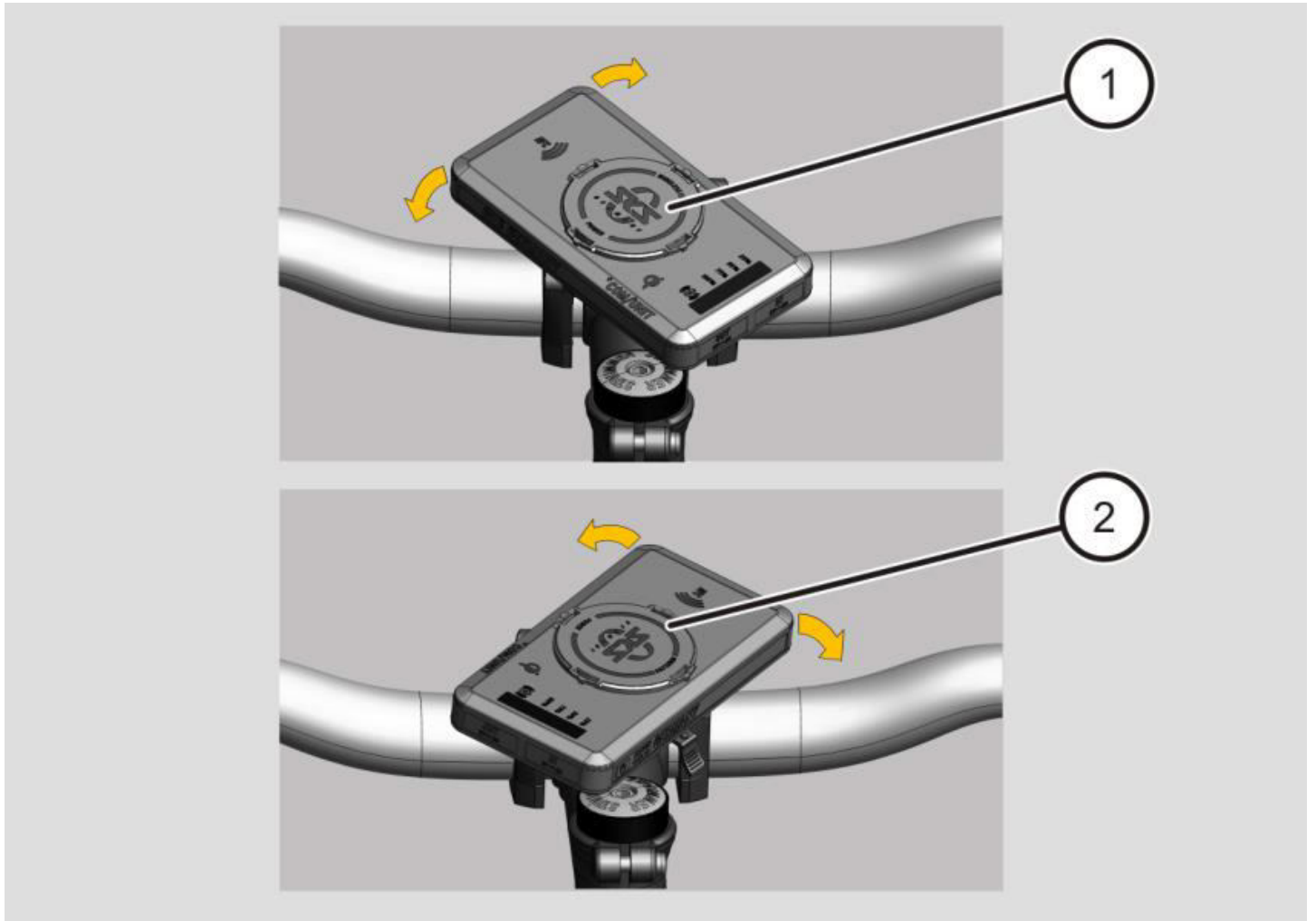
Unpacking and Checking the Scope of Delivery

- Remove the product from the packaging.
- Keep the original packaging in case you need to return the product to Customer Service.
- Check the scope of delivery to ensure it is correct and complete (refer to page 8 onwards).
- Check all parts to ensure that they are undamaged.
- If there are any deviations, please contact the manufacturer or dealer immediately.

Mounting the +COM/UNIT on and removing it from the COMPIT

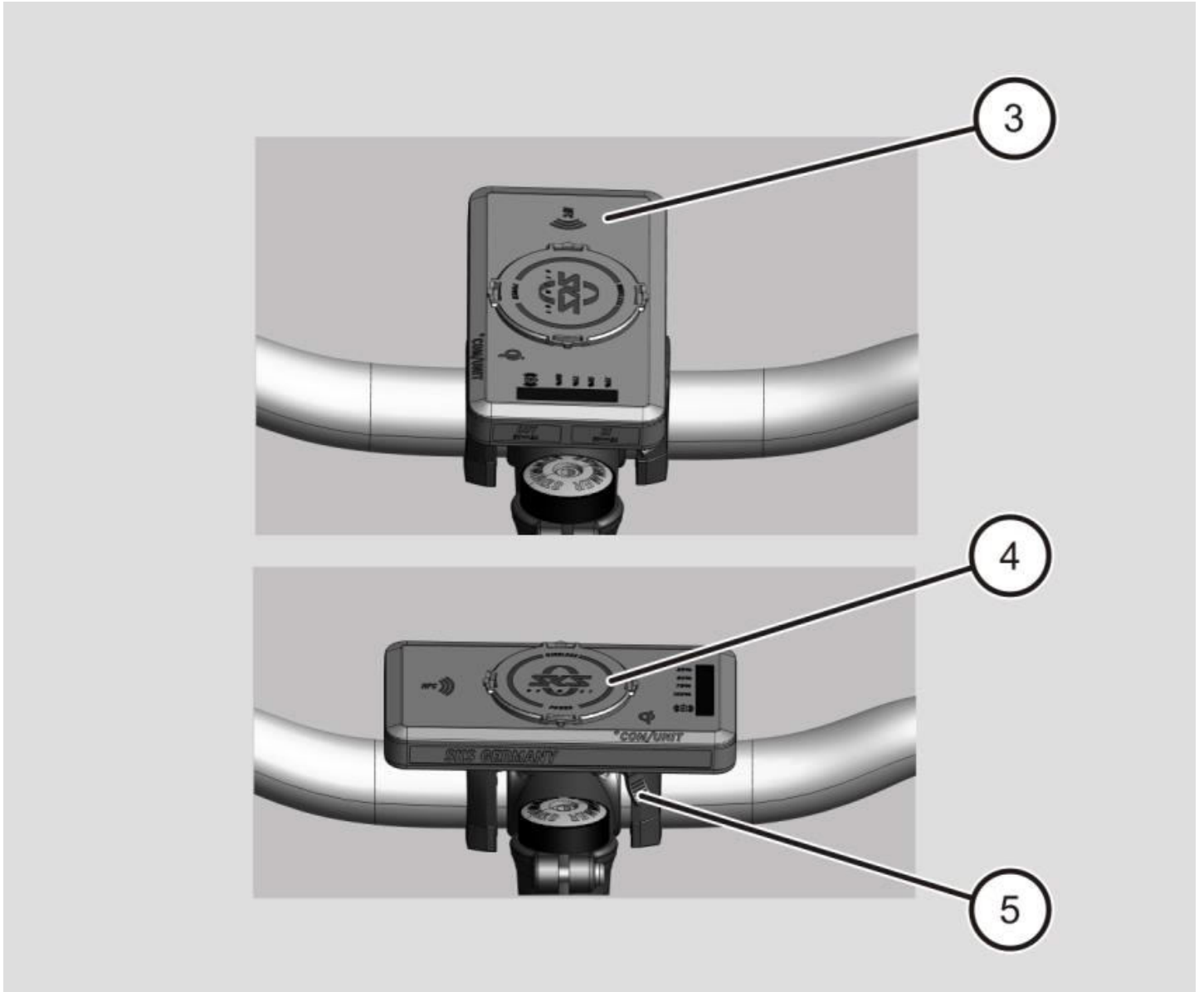
Proceed as follows to mount your +COM/UNIT on the COMPIT:

- Place your +COM/UNIT on the COMPIT (as shown in 1 or 2) and turn it (about 45°) either to the right or left above the docking station until you hear it click into place.



Mounting the +COM/UNIT on and removing it from the COMPIT

Depending on how you turn it, the +COM/UNIT is mounted vertically (3) or horizontally (4).
The safety lever (5) is locked.



Proceed as follows to remove your +COM/UNIT from the COMPIT:

- Push the safety lever (5) downwards.
- Remove your +COM/UNIT from the COMPIT by turning it (about 45°) off the docking station.

Adjusting the tilt


You can move the +COM/UNIT into the desired position by adjusting the tilt on the COMPIT. Proceed as follows to adjust the tilt:

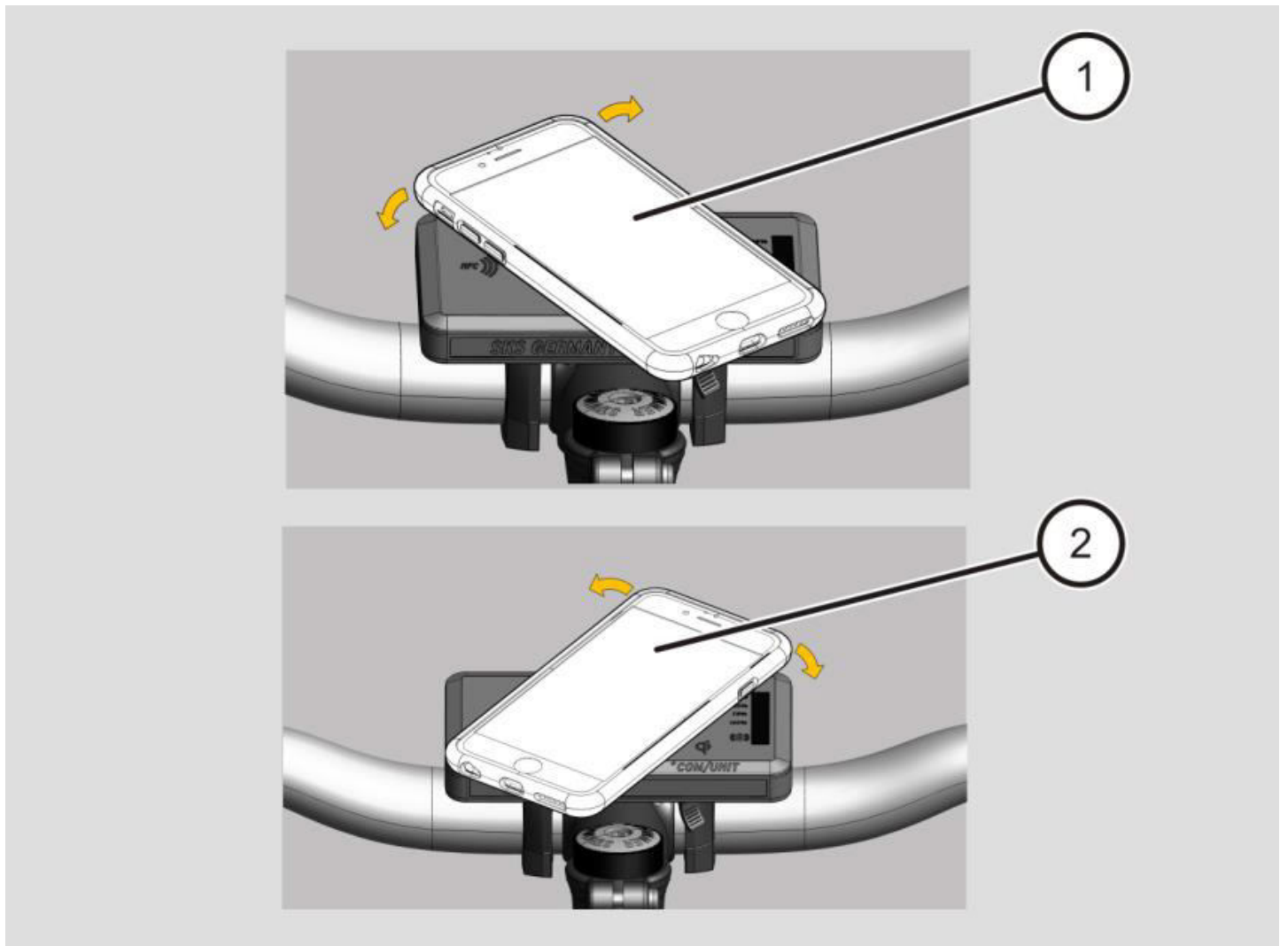
- Press the +COM/UNIT (1) on the COMPIT downwards or upwards until you have reached the desired position.
- To fix the desired tilt setting, tighten the levelling screw (2).



Charging the Smartphone via the +COM/UNIT

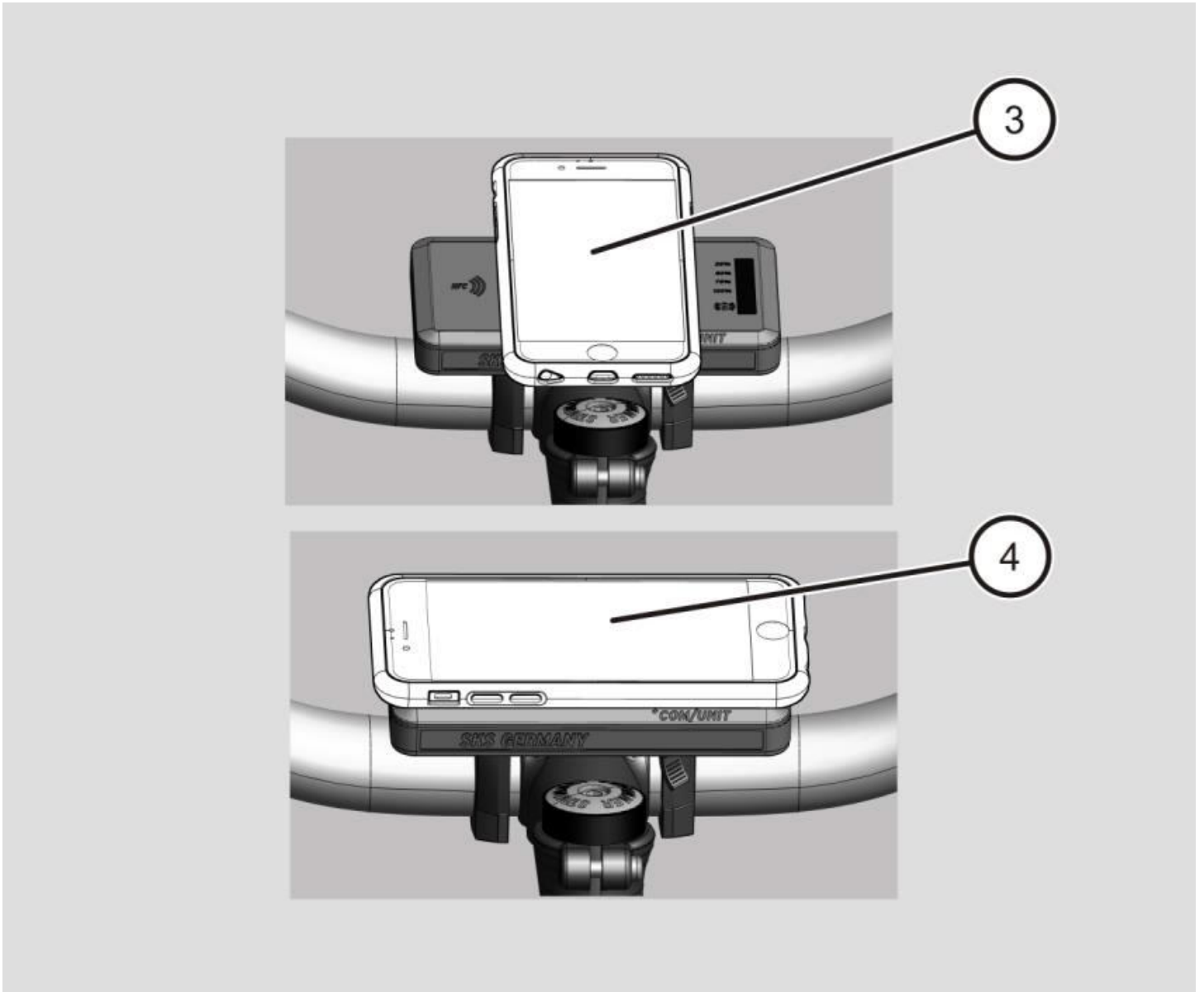
Charging your smartphone without a cable

- If you have a smartphone with a Qi charging function, you can charge it without a cable while you're on the move using the +COM/UNIT. Proceed as follows in this regard:
- Ensure that the +COM/UNIT is sufficiently charged (min. 50%).
- Press the  button on the +COM/UNIT to switch it on.
The bottom LED lights up blue and the battery indicator LEDs light up orange. The +COM/UNIT is now switched on.
- Place your smartphone on the +COM/UNIT's Qi docking station (as shown in 1 or 2) and turn it (about 45°) either to the right or left above the Qi docking station until you hear it click into place. The smartphone starts charging automatically.




Charging the Smartphone via the +COM/UNIT

Depending on how you turn it, your smartphone is mounted vertically (3) or horizontally (4).



The bottom LED flashes blue. The smartphone is charging.

➤ To manually stop the charging process and switch off the +COM/UNIT without removing the smartphone from the +COM/UNIT, press the  button for approx. 2 seconds.

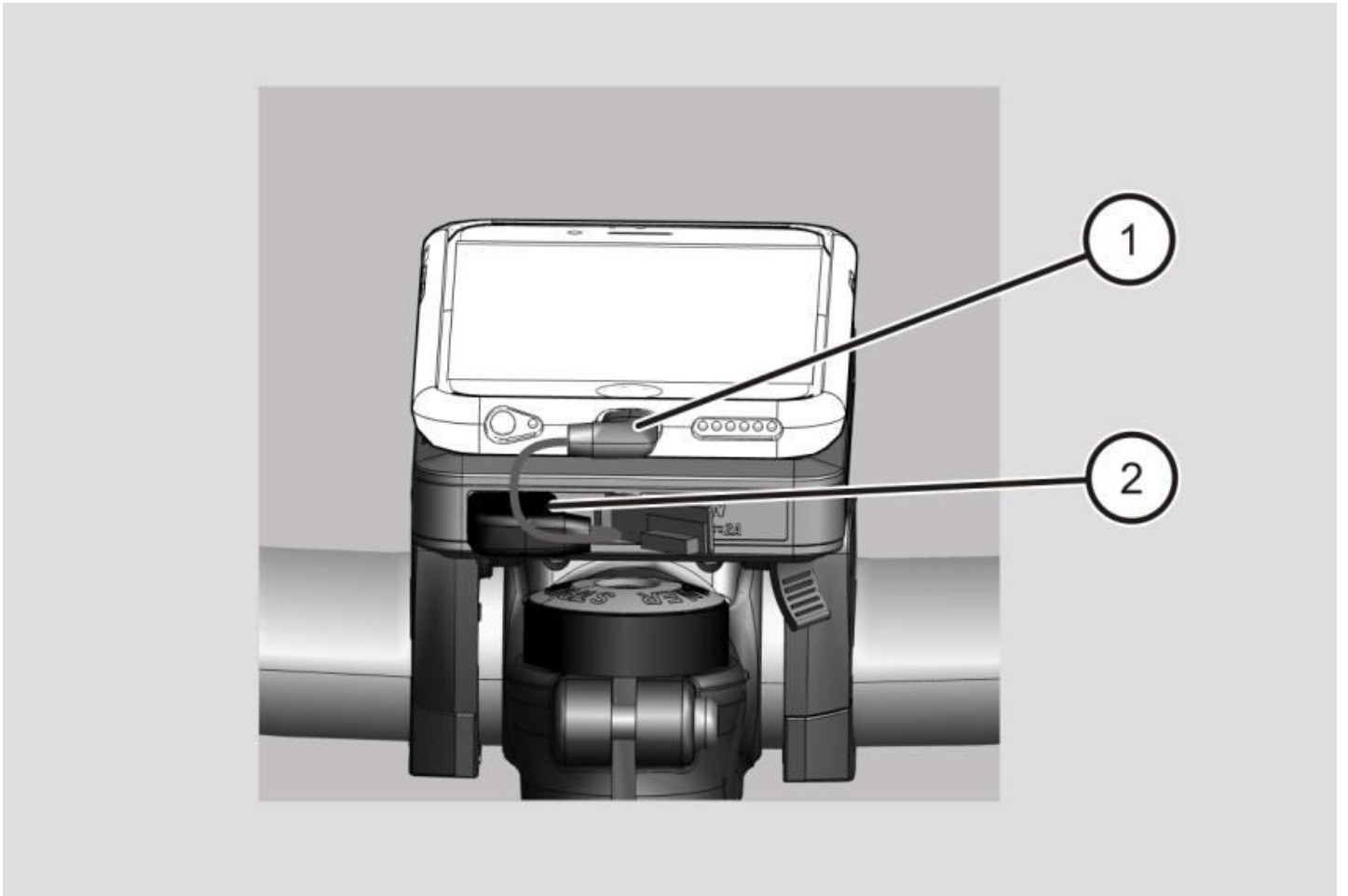
ⓘ If a smartphone is not connected for charging after 30 seconds at the latest, the +COM/UNIT switches off automatically.

Charging the smartphone with a cable

Charging the smartphone with a cable

Should you have a smartphone that does not have a Qi charging function, you can charge it via the +COM/UNIT using an optional USB cable when you are on the road. You can do this as follows:

- Ensure that the +COM/UNIT has been adequately charged (min. 50 %).
- Connect the optional USB cable (2) to the output port of the +COM/UNIT (2).
- Now connect it to your smartphone (1).



- To charge your smartphone, refer to the instructions in the section headed Charging the smartphone without a cable, please refer to page 17.

Carry out the following after you have charged your smartphone:

- Disconnect the USB cable from your smartphone and from the +COM/UNIT.
- Remove your smartphone from the +COM/UNIT by turning it over the Qi docking station (approx. 45 degrees).
- Press the safety lever and remove the +COM/UNIT analogue to the smartphone.
- Recharge the +COM/UNIT if necessary, please refer to page 24.

Using the NFC

The +COM/UNIT is equipped with an NFC chip (NEAR FIELD COMMUNICATION). The NFC chip that is integrated in the +COM/UNIT can be put to various uses.

The most diverse contents can be stored on the NFC chip it then being possible to read these out using an NFC-capable smartphone. The content can be a URL, a text or commands and applications that are generated using an app for the writing of NFC chips.

This enables numerous smartphone settings to be changed at the same time when scanning the NFC chip of the +COM/UNIT in addition to it being possible to automatically start apps such as the SKS MYBIKE app.

You can use the NFC (NEAR FIELD COMMUNICATION) as follows:

- Activate the NFC (NEAR FIELD COMMUNICATION) on your smartphone.
- Hold your smartphone close to the NFC chip of the +COM/UNIT (1-4 cm).

The content of the NFC chips is read out and the function that is programmed on the NFC chip is executed.

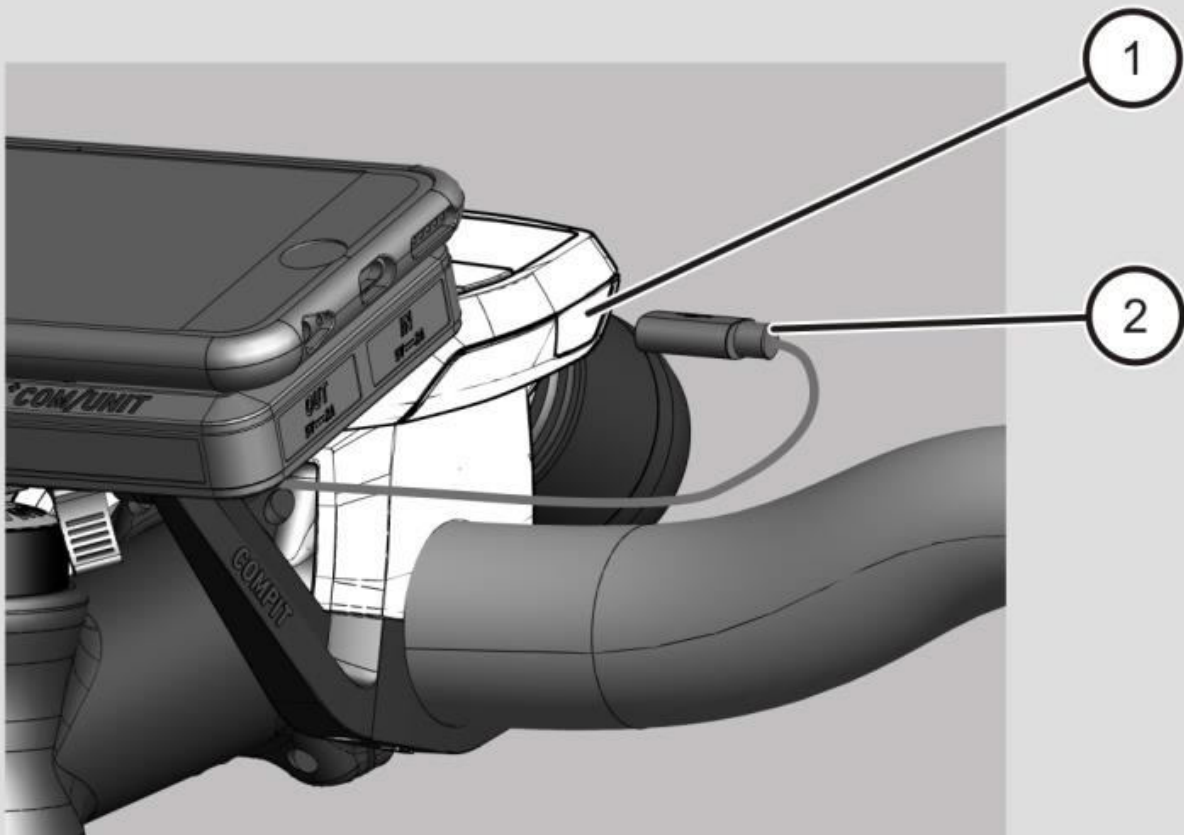
Charging the +COM/UNIT and your smartphone using your e-bike's on-board computer

If you have an e-bike that uses a USB power supply (5 V/min. 0.5 A) on the on-board computer, you can charge the +COM/UNIT and your smartphone using the e-bike's on-board computer while cycling.

Proceed as follows to charge:

- Open the connection socket (1) of the e-bike's on-board computer.
 - Insert the plug (2) of the COMPIT cable into the connection socket (1) of the e-bike's on-board computer.
- The +COM/UNIT charging process starts straight after the e-bike has been switched on. The orange LEDs flash one after the other. To charge the smartphone, proceed as described on page 17 onwards.

ⓘ If the smartphone is docked, it is charged first. The +COM/UNIT is charged once the smartphone is fully charged



Charging the +COM/UNIT and your smartphone using your e-bike's on-board computer

- ① The smartphone cannot be continuously navigated with the e-bike if the +COM/UNIT is out of charge. The energy provided by the e-bike is too low to be able to navigate with the smartphone. The +COM/UNIT's battery should be at least 50% charged to support the smartphone sufficiently during navigation.

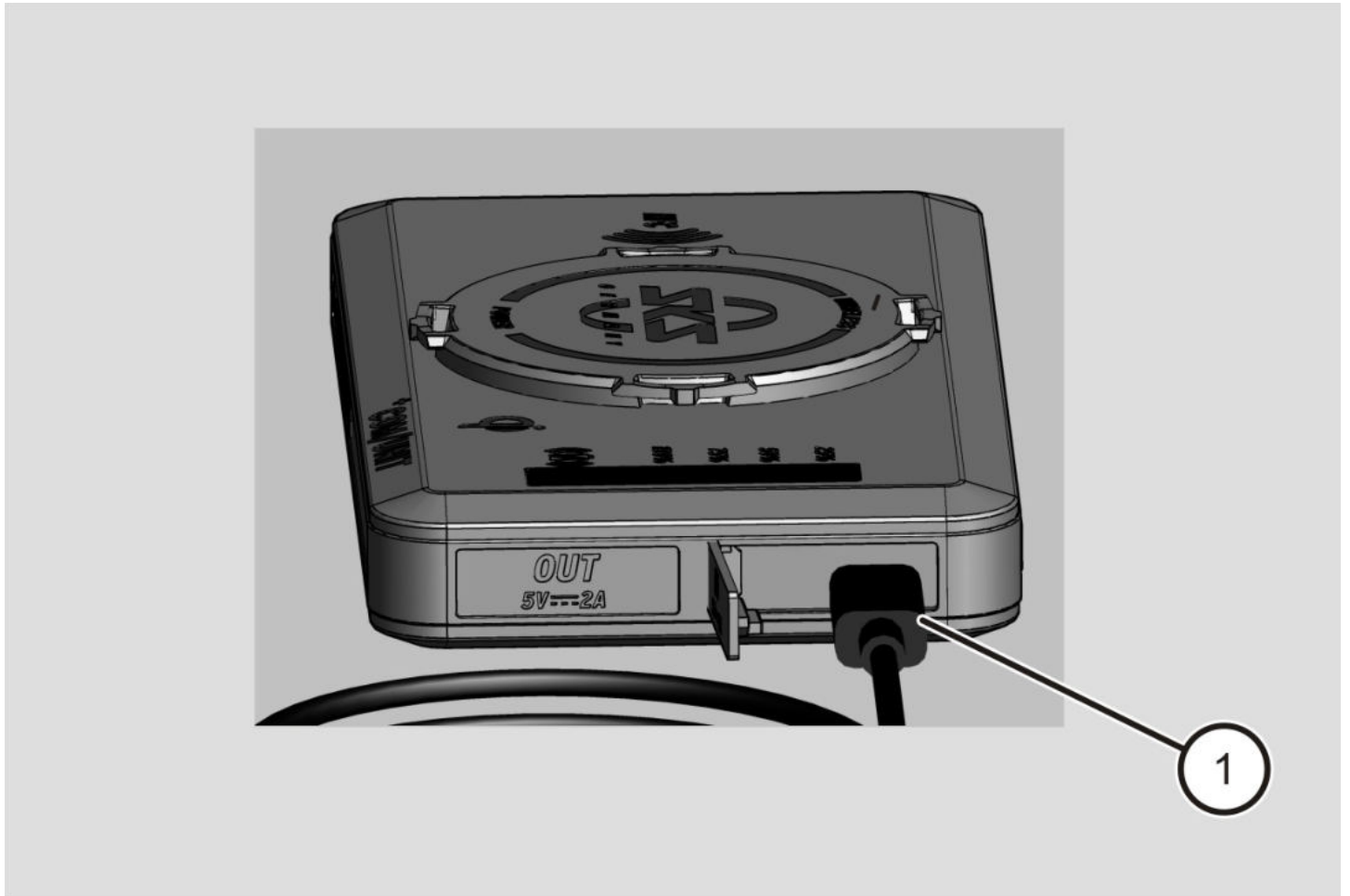
Troubleshooting

Sympton	Cause	Remedy
The blue LED on the +COM/UNIT is flashing fast.	Error when charging the smartphone	➤ Remove your smartphone from the +COM/UNIT and alter its position. When doing so ensure that your smartphone is positioned in the centre on the SKS logo.

Charging the +COM/UNIT

You can charge the +COM/UNIT as follows:

- ▶ Insert the plug of the USB cable that is included in the scope of delivery in the USB input port (1) and connect it with a suitable charger.



All four of the orange LEDs are illuminated if the +COM/UNIT battery is fully charged. The anticipated charging duration is approx. 6 hours (depending on the charger).

Maintaining the +COM/UNIT

Maintaining the +COM/UNIT

Proceed as follows to maintain the +COM/UNIT:

- If necessary, clean the +COM/UNIT's exterior with a damp cloth.

Accessories

Designation	Order number
iPhone 6/7/8 cover	11538
iPhone 6+/7+/8+ cover	11539
iPhone X cover	11540
Samsung S7 cover	11576
Samsung S8 cover	11577
Samsung S9 cover	11578
Huawei P20 Pro+ cover	11579

Designation	Order number
Cover adapter Dimensions: 60 x 60 x 4 mm	11541

Designation	Order number
iPhone Lightning cable	11542
Micro USB cable	11543
Type C cable	11544

Disposing of the +COM/UNIT

In Germany

- Dispose of the +COM/UNIT packaging according to type. Use local paper, cardboard and lightweight packaging collection facilities for this.
- Dispose of the +COM/UNIT and accessories separately from household waste. You can obtain information about collection points that accept used products free of charge from your local and municipal authorities.



Outside Germany

- Dispose of the +COM/UNIT and the packaging according to the regulations applicable at the place of use.



Warranty Declaration

Warranty Declaration

SKS metaplast Scheffer-Klute GmbH GERMANY provides a 2-year warranty as from the date of purchase in the scope of the legal provisions for all parts that are included in the scope of delivery (proof with the purchase receipt). Wearing parts are excluded - this especially being the +COM/UNIT battery unit. This is covered by a 6 months SKS GERMANY warranty. An incorrect handling or wrong use excludes a liability for defects.

Returns to Customer Service

Proceed as follows as soon as you have noticed damage on the +COM/UNIT:

➤ Send the +COM/UNIT, in its original packaging and with a precise description of the damage, to the following address for repair:

SKS metaplast Scheffer-Klute GmbH
Zur Huberstushalle 4
59846 Sundern
Tel.: +49-2933-8310



Wireless Charging Power Bank +COM/UNIT

FCC statement

NOTE: This equipment has been tested and found to comply with the limits for a Class B digital device, pursuant to Part 15 of the Federal Communications Commission (FCC) rules. These limits are designed to provide reasonable protection against harmful interference in a residential installation. This equipment generates, uses and can radiate radio frequency energy and, if not installed and used in accordance with the instructions, may cause harmful interference to radio communications. However, there is no guarantee that interference will not occur in a particular installation. If this equipment does cause harmful interference to radio or television reception, which can be determined by turning the equipment off and on, the user is encouraged to try to correct the interference by one or more of the following measures:

- Reorient or relocate the receiving antenna.
- Increase the separation between the equipment and receiver.
- Connect the equipment into an outlet on a circuit different from that to which the receiver is connected.
- Consult the dealer or an experienced radio/TV technician for help.

This device complies with Part 15 of the FCC rules. Operation is subject to the following two conditions: (1) this device may not cause harmful interference, and (2) this device must accept any interference received, including interference that may cause undesired operation. Privacy of communications may not be ensured when using this device.

30 General Information

WARNING!

Changes or modifications, to this equipment not expressly approved by the party responsible for compliance could void the user's authority to operate the equipment.

IC statement

RSS-Gen statement:

This device contains licence-exempt transmitter(s)/receiver(s) that comply with Innovation, Science and Economic Development Canada's licence-exempt RSS(s). Operation is subject to the following two conditions:

- (1) This device may not cause interference.
- (2) This device must accept any interference, including interference that may cause undesired operation of the device.

L'émetteur/récepteur exempt de licence contenu dans le présent appareil est conforme aux CNR d'Innovation, Sciences et Développement économique Canada applicables aux appareils radio exempts de licence. L'exploitation est autorisée aux deux conditions suivantes:

- 1) L'appareil ne doit pas produire de brouillage;
- 2) L'appareil doit accepter tout brouillage radioélectrique subi, même si le brouillage est susceptible d'en compromettre le fonctionnement.

