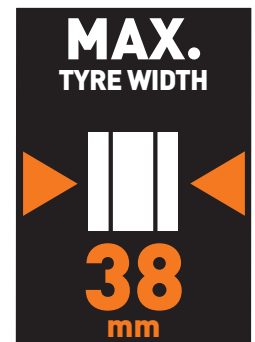


Mountingvideo Youtube



EN. S-BOARD

Clip-on front mudguard for racing bikes, cyclocross bikes, hybrid bikes and gravel bikes, etc. for a max. tyre width of 38 mm. The S-BOARD is the ideal companion for our S-BLADE rear mudguard. Its light, double-hinged quick release fitting system also fits aero forks.

Mounting instructions: the S-BOARD is to be mounted on the fork so that there is a minimum clearance of 1.5 cm between the mudguard and the tyres all-round. CAUTION! Only tighten the screws with max. 1 NM!

- 1 Initially position the mudguard on the fork so that the minimum clearance is adhered to in the upper Part A. This can be ascertained by pushing it up or down (Arrow B). Now tighten the quick release bungee cord around the fork and hook it into the fastening so that it is unable to slip on the fork (see 1a.).
- 2a If necessary, protect the frame using the enclosed paintwork protection film. It is possible to permanently mount the mudguards using cable binders (see under »Permanent mounting of the mudguards«)
- 2 Now adjust the wheel protection by loosening the screws and moving the mudguard in the longitudinal holes beneath it so that the clearance between the mudguards and the tyres is a min. of 1.5 cm all-round. Now retighten the screws (max. 1 NM) so that the mudguard now firmly remains in position.
- 2b If necessary, carefully shorten the bungee cord using a pair of scissors so that the ends are unable to make contact with the wheel spokes.

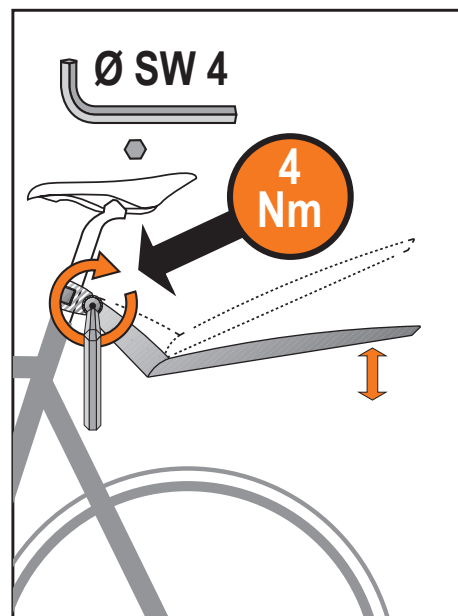
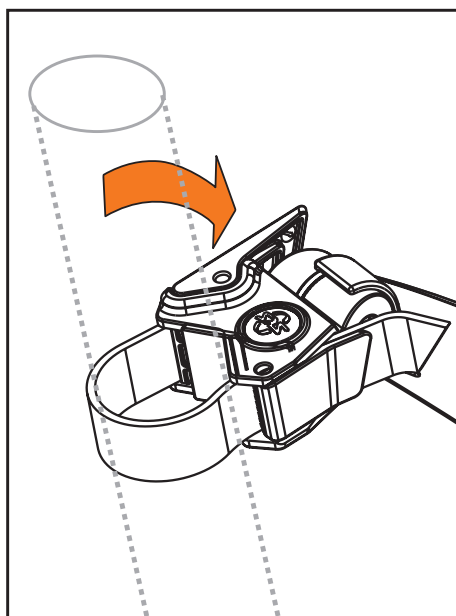
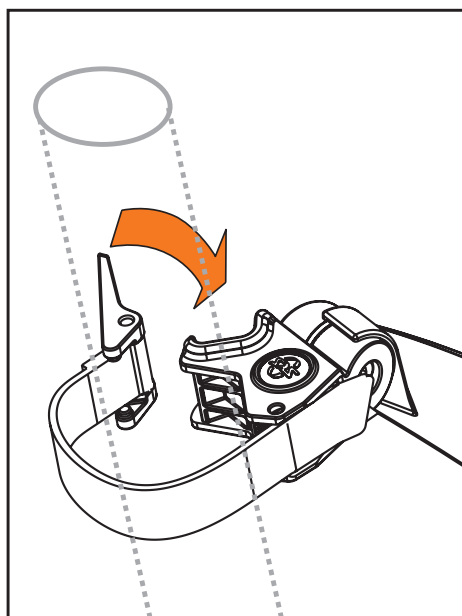
Permanent mounting of the mudguards

In addition to using the quick release bungee cords, the S-BOARD can also be fixed in place with cable binders (C). This type of mounting is only suitable for a permanent mounting and as protection against the S-BOARD being stolen from the bike. In order to mount the mudguard, use 2 cable binders per side in addition to the bungee cords. Pull the cable binders as tight as possible in order to ensure that slipping is not possible. Carefully cut the protruding ends of the cable binders off with a pair of scissors.

Safety instructions!

Ensure the correct positioning of the mudguards each time before you use the bike. A non-adherence of the minimum clearance between the mudguard and the tyre, can result in damage being caused or as a worst case scenario, a fall is also possible. It is therefore imperative that you adhere to the minimum clearance of 1.5 cm when mounting the mudguards. Ensure that the brakes work correctly and that the mudguards do not come into contact with the moving parts of the brakes. The bungee cords are subject to natural ageing by UV radiation. Therefore inspect the condition of them at regular intervals and replace them in good time should they show signs of damage.

WARNING! SKS is not responsible for damage to frame paint or carbon resulting from use of this product. Proper use of protection film and maintenance, including regular cleaning of frame and fender at attachment points, will prevent such damage.



EN. S-BLADE

Extremely light rear wheel snap-on mudguard for racing bikes. Manufactured from high quality, impact resistant high performance plastic. Easy quick-release fastening by powerstrap for almost all seatposts (max 35 mm).