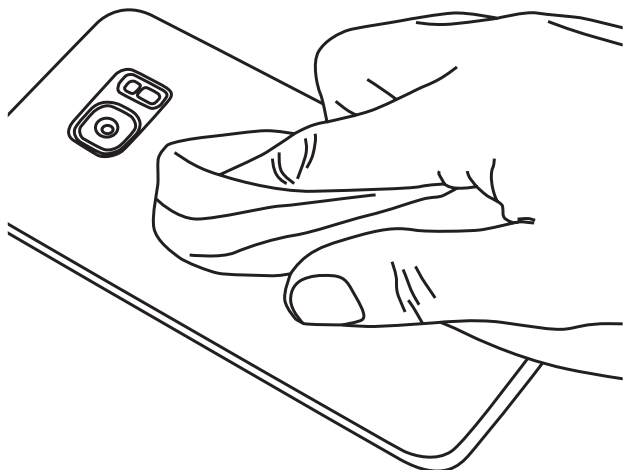
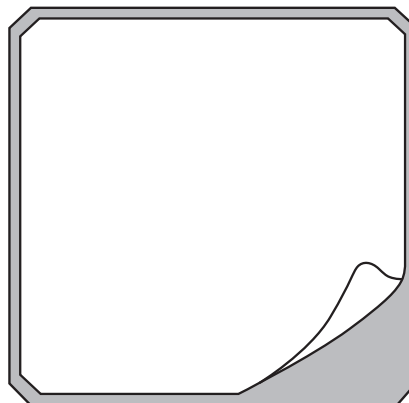


Installation

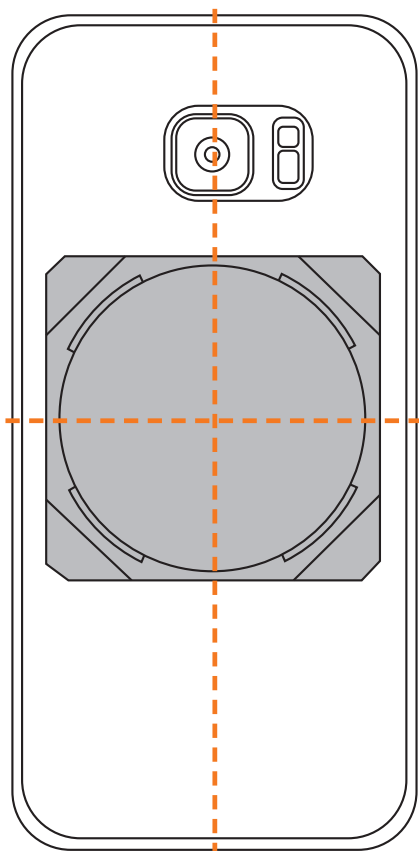
1



2



3



4

NO

Silicone, TPU cover

