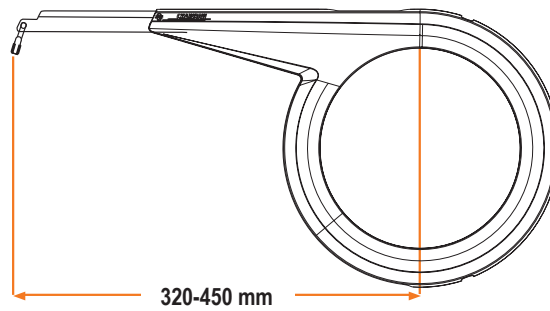
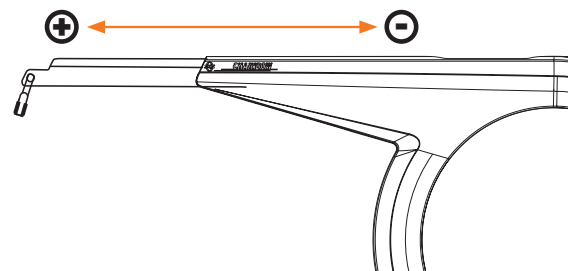
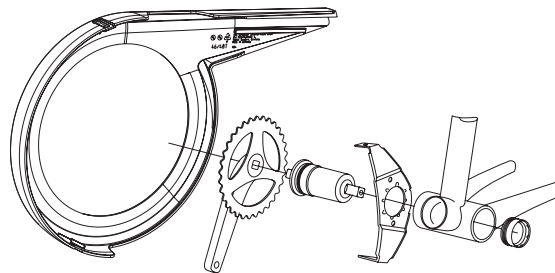


**CHAINBOW\_E (Bosch 3. Generation)**

For installation crank and bottom bracket have to be disassembled. Special tooling equipment required. Please contact your dealer.



Beispiel: CHAINBOW max. 44



**ATTENTION: Please check compatibility of crank.**

**EN. CHAINBOW**

Plastic chain protector with aluminium profile extension. Extremely light and robust. Resistant to corrosion.