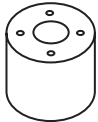


MAX
8
BAR

MAX
115
PSI

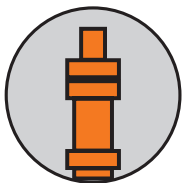
SV DV AV



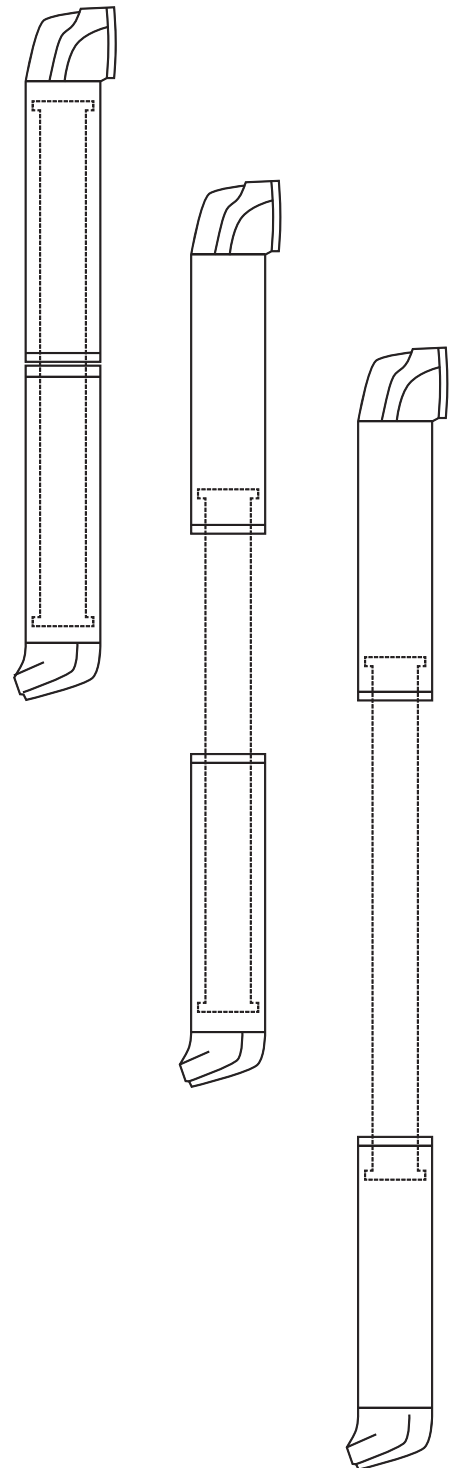
REVERSIBEL



**SCLAVERAND
PRESTA**



DUNLOP



EN. AIRBOY

Thanks to its two-chamber pump system, despite its compact size, the AIRBOY mini-pump achieves a very high pump capacity. The interaction of the large pump head and grip with a soft, ergonomic end cap provides for easy and good pressure build-up in the tyres. The AIRBOY fits in any jersey pocket.