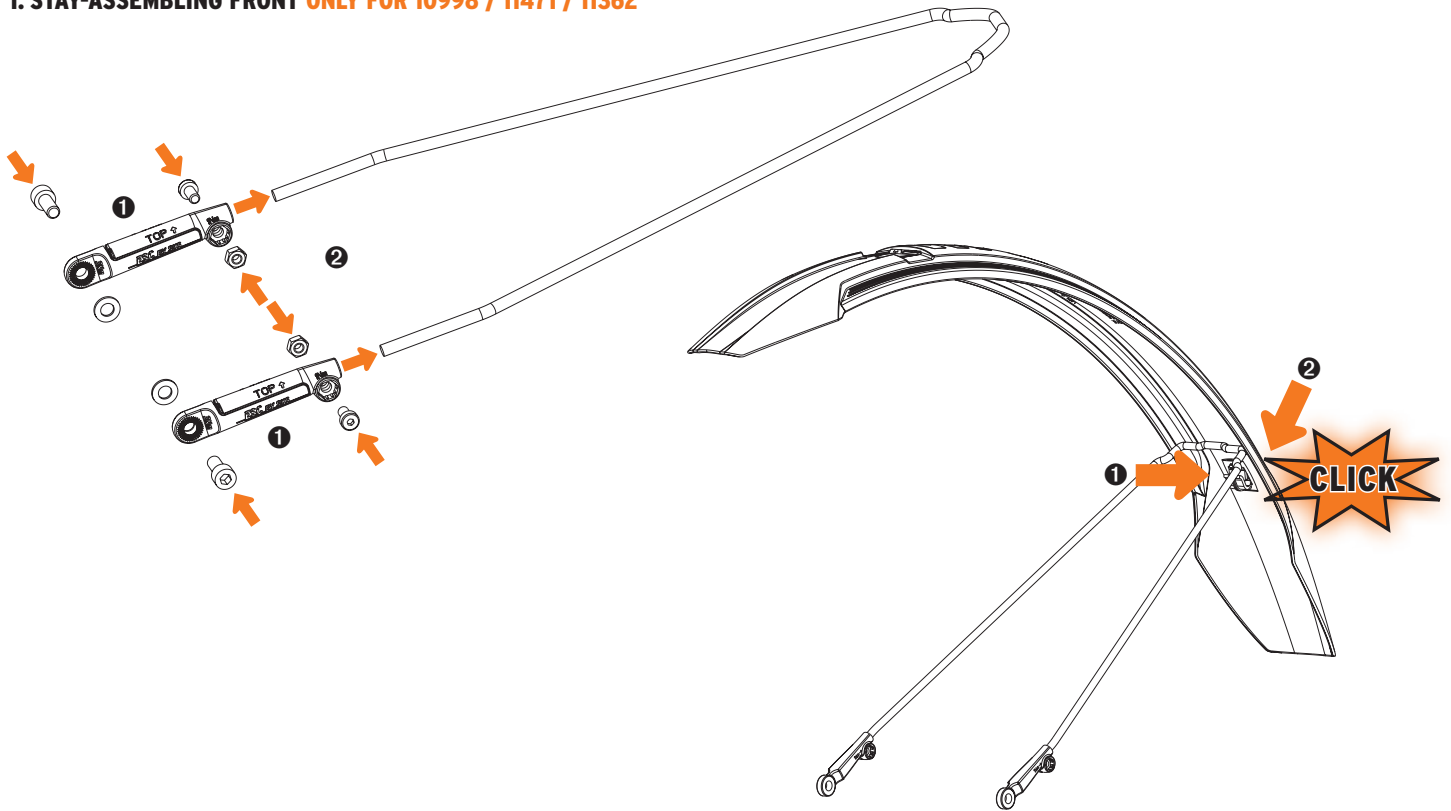
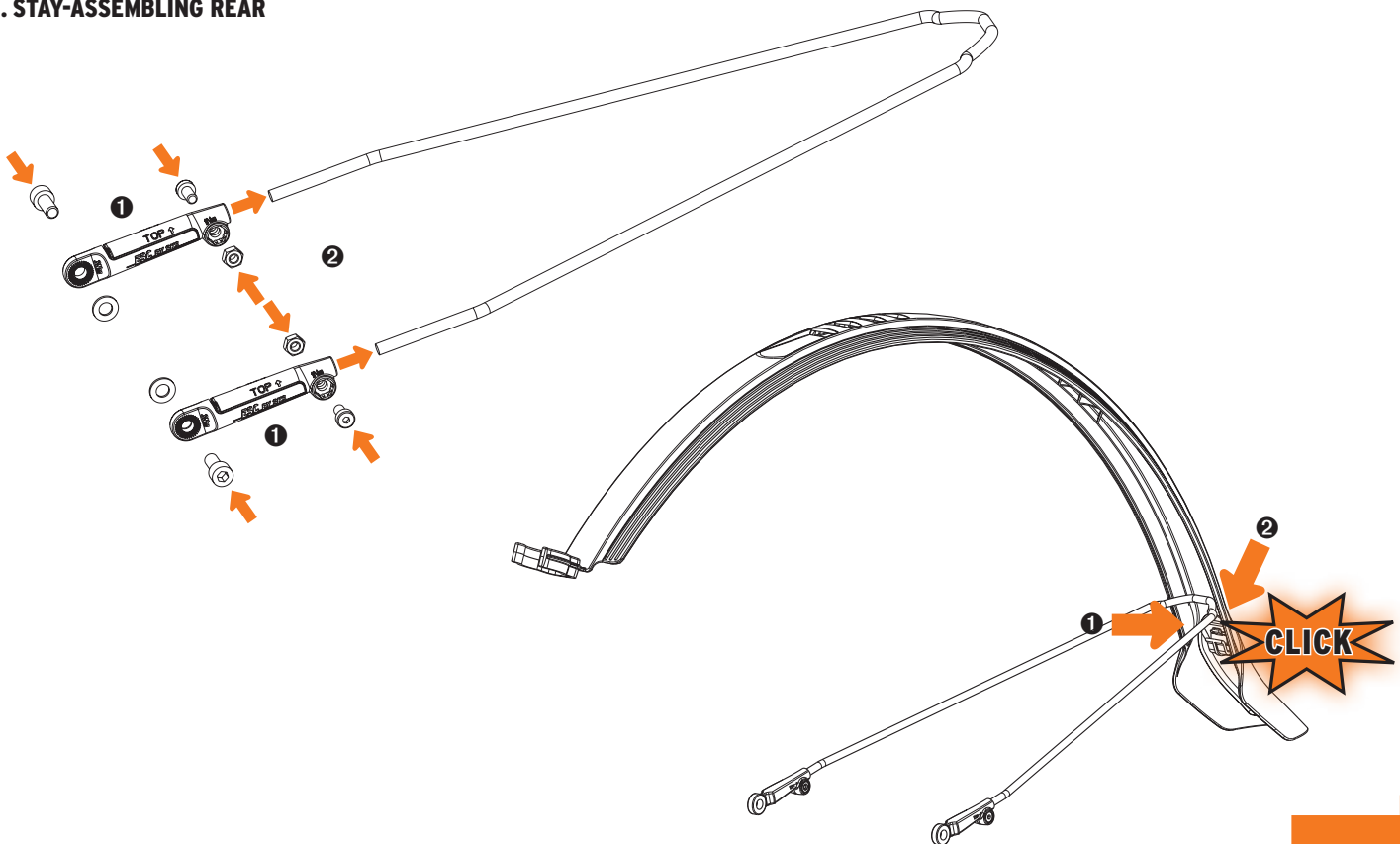


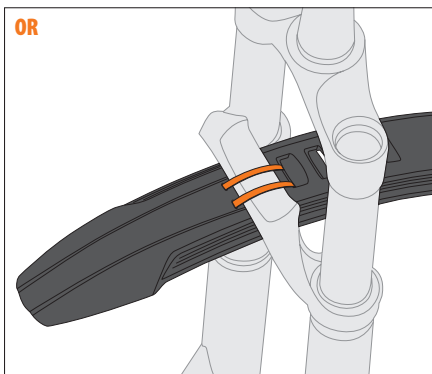
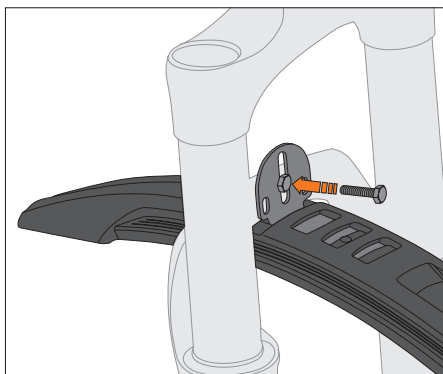
1. STAY-ASSEMBLING FRONT ONLY FOR 10998 / 11471 / 11362



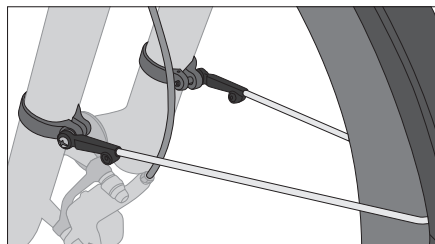
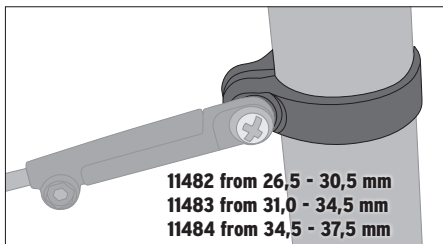
1. STAY-ASSEMBLING REAR



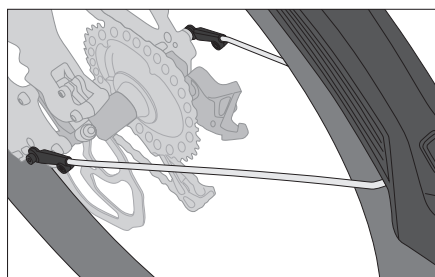
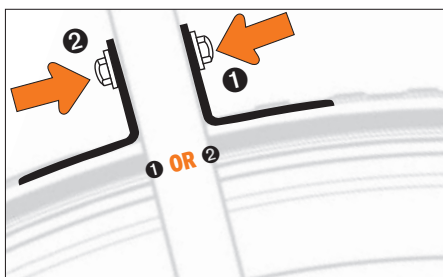
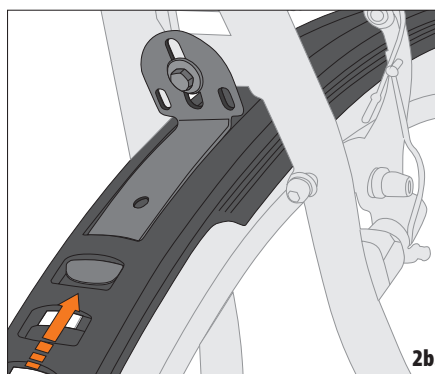
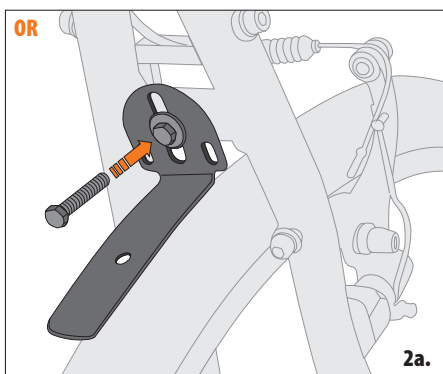
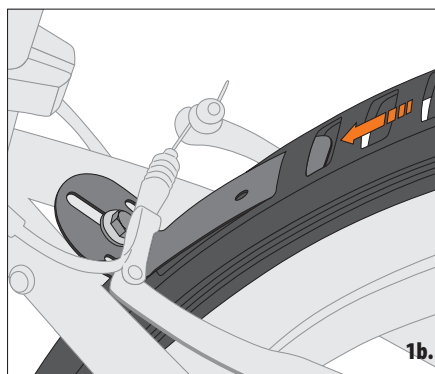
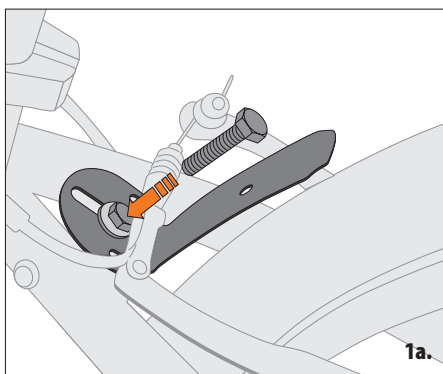
2. FRAME-FITTING OPTIONS FRONT



CLAMPS FOR STAYS | OPTIONAL AVAILABLE

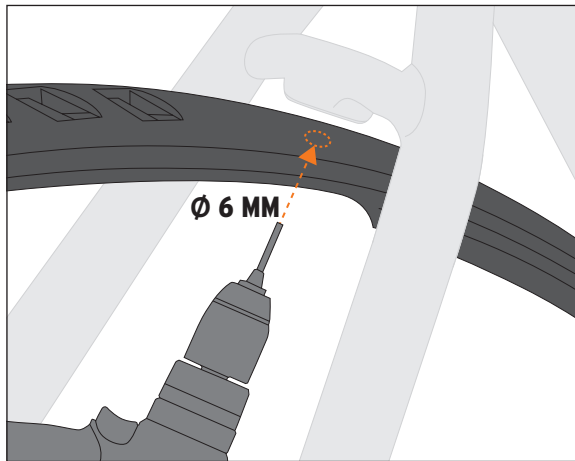


3.1. FRAME-FITTING OPTIONS REAR BRACKET

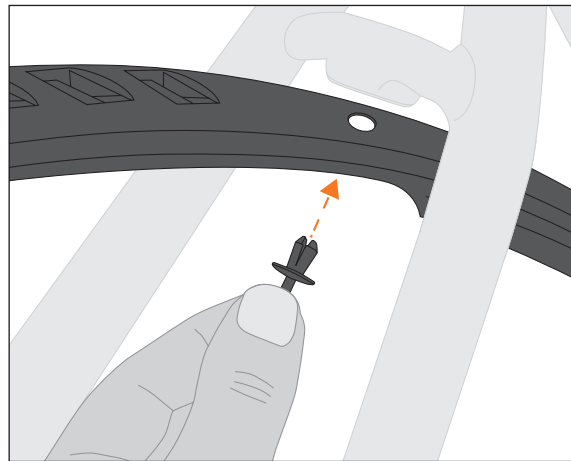


3.2. FRAME-ASSEMBLING WITHOUT BRACKET

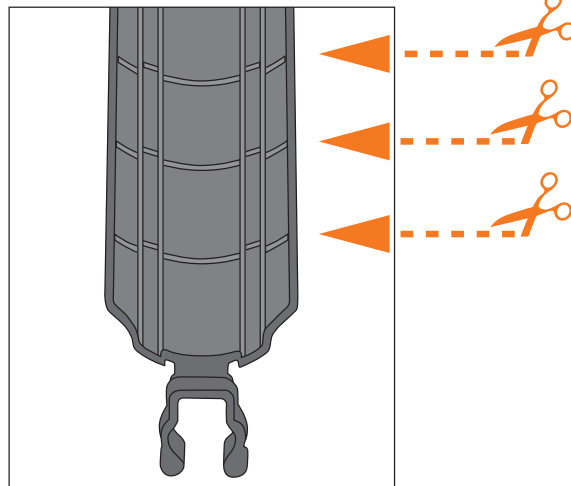
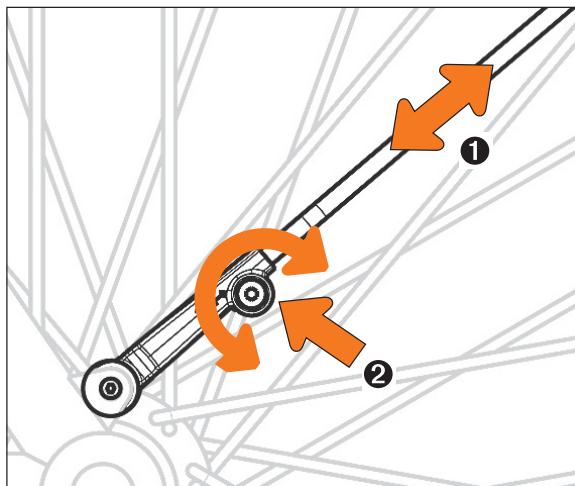
3.2.1 DRILL A HOLE



3.2.2 PLUG IN

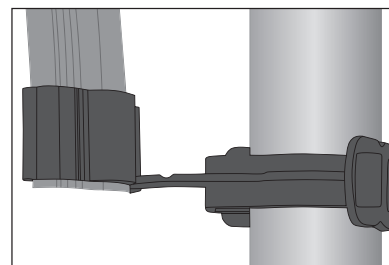


4. LENGTH-ADJUSTEMENT STAY FRONT + REAR



*** ONLY SUITABLE FOR VELO 65 SERIES**

CUTTING LINES *



FRAMECLIP *