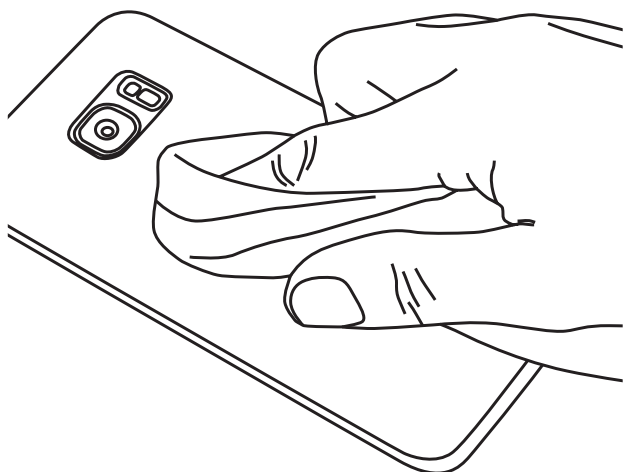
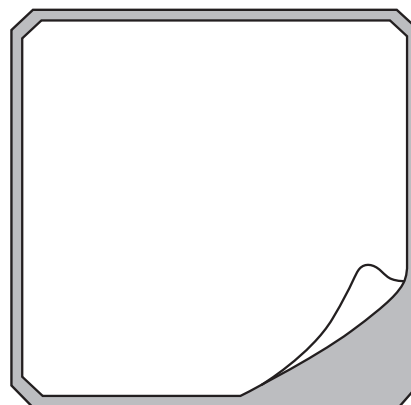


## Installation

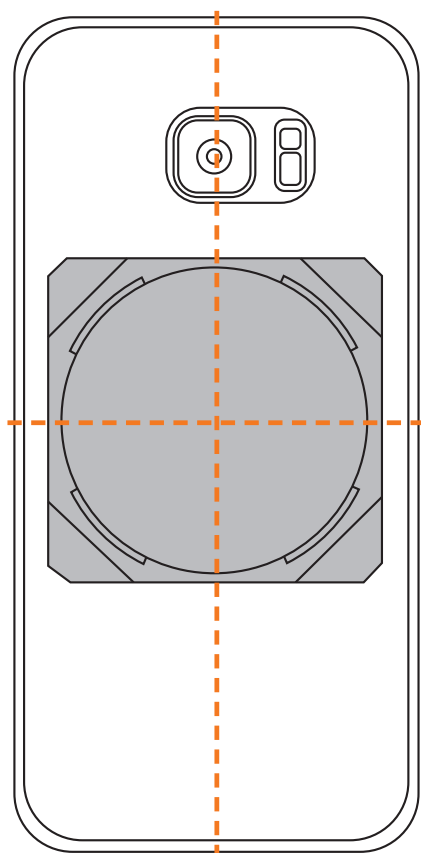
1



2



3



4

**NO**

Silicone, TPU cover

